

VLP SERIES 7" WIDTH

LOW PROFILE LINEAR



Specifier's Reference	
Project	Type
Catalog No.	
Comments	

Specifications

- Housing:** Marine grade aluminum. Extruded backplate with architectural yet rugged die cast end caps. End caps available in round or square profiles.
- Lens:** Positive interlocking, extruded clear polycarbonate lens with integral linear prisms. High impact polycarbonate material is lighting grade and UV stabilized.
- Reflector:** Full reflector/wireway cover – 90% reflectivity
- Gasket:** Lens sealed to the housing ends with silicone sponge gasket.
- Fasteners:** Stainless steel center pin reject Allen-head standard. See fasteners list for alternatives.
- Lamps:** See ordering information for various lamping options. Lamps are supplied by others.
- Ballasts:** Standard Class P sound rated A electronic ballasts. Other ballast options available.
- Finish:** Housing and end caps are painted with a high quality semi-gloss Polyester Powder coat process. National Sanitation Foundation Approved. Textured white as standard with any RAL color available (see ordering information). Optional Agion® antimicrobial finish available.
- Mounting:** Ceiling, Wall, Corner or Pendant mount, single or continuous row options available. Additional hardware is needed for Corner and Continuous row installation (see Ordering Information below).
- Listings/Certifications:** ETL (US/Canada). Wet Location, ADA Compliant, NSF, IP55 rated, IBEW Union/Made in the USA.

Ordering Information

Example: VLP7 - R - 4 - 232 - EB - UNV - F1 - 1/2

Series	Length	Lamp Type	Voltage	No. of Ballasts	Ends	No. Lamps/ Cross Section	Ballast Type	Fasteners	Options
VLP7 – 7" Low Profile Linear	2 – 2 feet 4 – 4 feet 8 – (2) 4 foot units field connected	17 – 17wT8 (24") 32 – 32wT8 (48") 14 – 14wT5 (24") 28 – 28wT5 (48") 24HO – 24wT5HO (24") 54HO – 54wT5HO (48")	UNV – 120-277V 347 – 347V	1/2 – One 2 lamp ballast 1/3 – One 3 lamp ballast 1/4 – One 4 lamp ballast 2/1 – Two 1 lamp ballast 2/2 – Two 2 lamp ballasts 2/3 – Two 3 lamp ballasts 1/21 – One 2 lamp & One 1 lamp ballast	S – Square Ends (standard) R – Round Ends	1 – One lamp (not available in 8' units) 2 – Two lamps 3 – Three lamps (T5 and T8 only)	EB – Electronic Ballast SB – Specified Ballast	F1 – Allen Head, Center Pin Reject, standard F2 – TORX head, Center Pin Reject SF – Specified fasteners	EMG1* – Emergency Ballast (390-700 lumens) EMG2* – Emergency Ballast (600-1325 lumens) NLF7* – 7W PL Night Light (4' or 8' only) GLR – GLR Fusing WO – White Opal Polycarbonate Lens NSF – NSF Listed AG – Agion® Antimicrobial Protection on Painted Surfaces PM – Pendant Mount (Damp location only) (4' or 8' only, Pendant kit by others) BK – Black Finish BZ – Bronze Finish CS – Custom Color (Provide RAL#)

Accessories

- Joiner-VLP7** – Joiner Band for Continuous Row Mounting (One joiner band needed to join two units in the field)
- VLP7-CMA-2** – 2ft. Corner Mount Adapter
- VLP7-CMA-4** – 4ft. Corner Mount Adapter
- VLP7-CMA-8** – 8ft. Corner Mount Adapter

Continuous Row Mounting

- Add as option to end of catalog number
- RMB** – Beginning Luminaire (Incl. 1 Joiner Band)
- RMC** – Center Luminaire (Incl. 1 Joiner Band)
- RME** – End Luminaire (No Joiner Band)



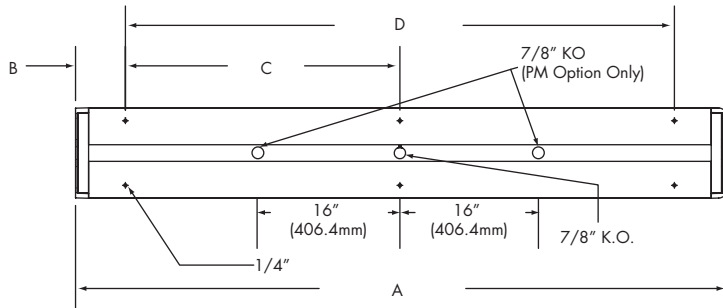
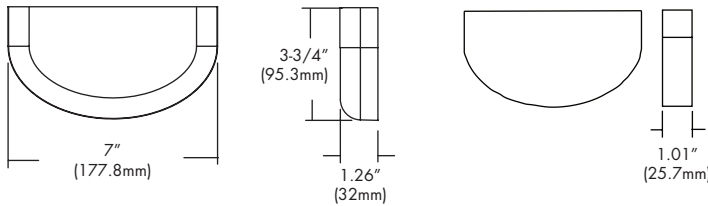
* Specify voltage

VLP SERIES - 7" WIDTH

LOW PROFILE LINEAR



Dimensions & Mounting



Fixture with Square End Caps

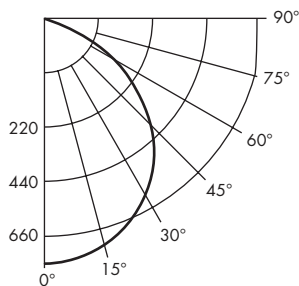
Length	A	B	C	D	# Mntg Holes
12"	14.22	3.36	N/A	7.50	4
18"	20.22	3.86	N/A	12.50	4
24"	26.22	3.86	N/A	18.50	4
36"	38.22	3.86	15.25	30.50	6
48"	50.22	3.86	21.25	42.50	6
96"	101.94	3.86	21.25	42.50	12*

Fixture with Round End Caps

Length	A	B	C	D	# Mntg Holes
12"	14.72	3.61	N/A	7.50	4
18"	20.72	4.11	N/A	12.50	4
24"	26.72	4.11	N/A	18.50	4
36"	38.72	4.11	15.25	30.50	6
48"	50.72	4.11	21.25	42.50	6
96"	102.43	4.11	21.25	42.50	12*

* 96" fixture requires two 48" units connected with a joiner

Photometry



Zonal Lumen Summary

Zone	Lumens	% Lamp	% Luminaire
0-30	782	13.7	18.8
0-40	1303	22.9	31.3
0-60	2435	42.7	58.4
0-90	3632	63.7	87.1
90-120	454	8.0	10.9
90-130	504	8.8	12.1
90-150	533	9.4	12.8
90-180	536	9.4	12.9
0-180	4168	73.1	100.0

Coefficients of Utilization, Zonal Cavity Method

RC	80				70				50				30				10				0
	RW	70	50	30	10	70	50	30	10	50	30	10	50	30	10	50	30	10	0		
R 0	85	85	85	85	82	82	82	82	76	76	76	71	71	71	66	66	66	64			
C 1	76	72	68	65	73	69	66	63	64	62	59	60	58	56	56	54	52	50			
R 2	68	62	56	52	66	60	55	50	55	51	48	52	48	45	48	45	43	41			
3	62	54	48	43	60	52	46	42	49	44	40	45	41	38	42	39	36	34			
4	57	48	41	36	54	46	40	35	43	38	33	40	36	32	37	34	31	29			
5	52	42	35	30	49	40	34	29	38	32	28	35	31	27	33	29	26	24			
6	47	37	30	26	45	36	30	25	34	28	24	32	27	23	30	25	22	20			
7	44	33	27	22	42	32	26	22	30	25	21	28	24	20	27	22	19	18			
8	40	30	23	19	38	29	23	19	27	22	18	26	21	17	24	20	17	15			
9	37	27	21	16	35	26	20	16	24	19	15	23	18	15	22	17	14	13			
10	34	24	18	14	33	24	18	14	22	17	14	21	16	13	20	16	13	11			

LTL Report No.: 08697 (02-10-2005)

Prepared for: Morlite Systems, Inc.

Catalog No.: VLP-7-48-232

Luminaire: Extruded Aluminum Housing with Cast Aluminum Ends, Formed White Enamel Aluminum Reflector, Clear Polycarbonate Linear Prismatic Lens

Mounting: Surface/Ceiling

Lamps: (2) 32 Watt T8 Linear Fluorescent, Each Rated 2850 Lumens

Lamp Catalog No.: Philips F32T8/T1735/ALTO

Ballast: One Advance ICN-2M32-MC

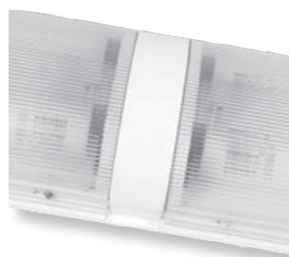
Options



Square end caps of die-cast aluminum



Round die-cast aluminum end caps



Row mounted connectors for extended linear runs

Warranty:

Morlite Vandal-resistant products are designed and manufactured to stand up to high physical abuse. When applied and installed according to our instruction, Morlite will warrant and repair or replace any product left inoperable due to physical punishment for the product life of the installation. See published warranty for additional details.



Some luminaires use fluorescent or high intensity discharge (HID) lamps that contain small amounts of mercury. Such lamps are labeled "Contains Mercury" and/or the symbol "Hg". Lamps that contain mercury must be disposed of in accordance with local requirements. Information regarding lamp recycling and disposal can be found at www.lamprecycle.org.



www.morlitelighting.com 776 South Green Street • Tupelo, MS 38804 800.865.5954 • F. 800.667.9959

Morlite is a Philips group brand
Rev. December 2009

