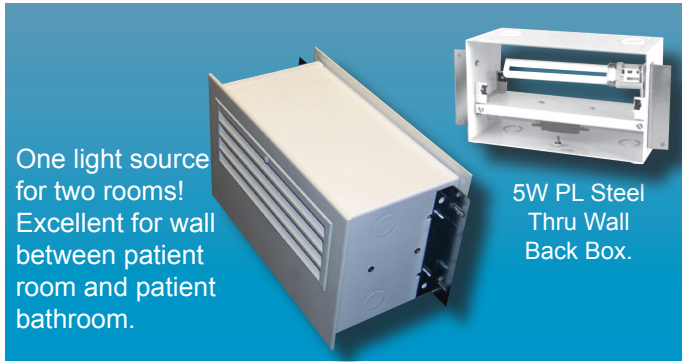


TW SERIES

Fluorescent Maximum Security Nightlight

INSTITUTIONAL/BEHAVIORAL



One light source for two rooms! Excellent for wall between patient room and patient bathroom.

5W PL Steel Thru Wall Back Box.

Specifier's Reference	
Project Name	Type
Catalog No.	
Comments	

- **Listings/Certifications:** ETL (US/Canada), ADA Compliant

Specifications

- Designed for demanding environments, a rugged cast aluminum faceplate and louver protect the fixture.
- Provides illumination for nighttime mobility in hospitals & nursing homes.
- Back box is 20-gauge die formed steel. Available in 3" or 4" depths.
- Knockouts in top, bottom & side for 1/2" & 3/4" conduit.
- Louvers tilt forward for quick relamping without removing faceplate. (Entire stainless faceplates must be removed for maintenance).
- Cast aluminum faceplates & louvers. Optional brushed stainless steel faceplates available.
- Large horizontal wireway for several branch circuit wires.
- Adjustable mounting brackets for varying depths of drywall or plaster.
- Faceplates finished in textured, baked powder coating
- Compact fluorescent standard. LED light source available in white, amber or blue.
- Options include hospital-grade duplex & emergency sign.

Ordering Information

Example: TW - 113 - 2L5 - 120V - D3 - SD - AM - WT

SERIES	LAMPS	FACEPLATE	VOLTAGE	BACKBOX DEPTH	OPTIONS	LED COLOR	COLOR
TW Thru Wall Mount	-109 One 9-watt PL -113 One 13-watt PL L38 LED Light Source (120/277V) *Lamps included	-2L5 Louver front -2L6 Louver front with hospital-grade ivory duplex receptacle -2LG5 Louver front with frosted glass lens -2LG6 Louver front with frosted glass lens and hospital-grade ivory duplex receptacle	-120V -277V	-D3 2X3 Interior Walls -D4 2X4 Interior Walls	-TP Tamper proof fastener on louver -SD Tamper proof screw-driver -E Engraved "EMERGENCY" sign 3/8" x 1-13/16" -R Red hospital-grade duplex receptacle in place of ivory -EB Electronic ballast (available in 13w only; requires quad lamp) -SS One piece stainless steel faceplate -HPF High power factor ballast	-WT White LEDs -AM Red/Amber LEDs -BL Blue LEDs	-WT Mission White faceplate -S Special color faceplate matched

Note: Contact Factory For Additional Configurations.

Morlite

TOUGH SITES TOUGH LITES 1805 Pittsburgh Ave, Erie, PA 16502 • 800-865-5954 • Fax 800-667-9959



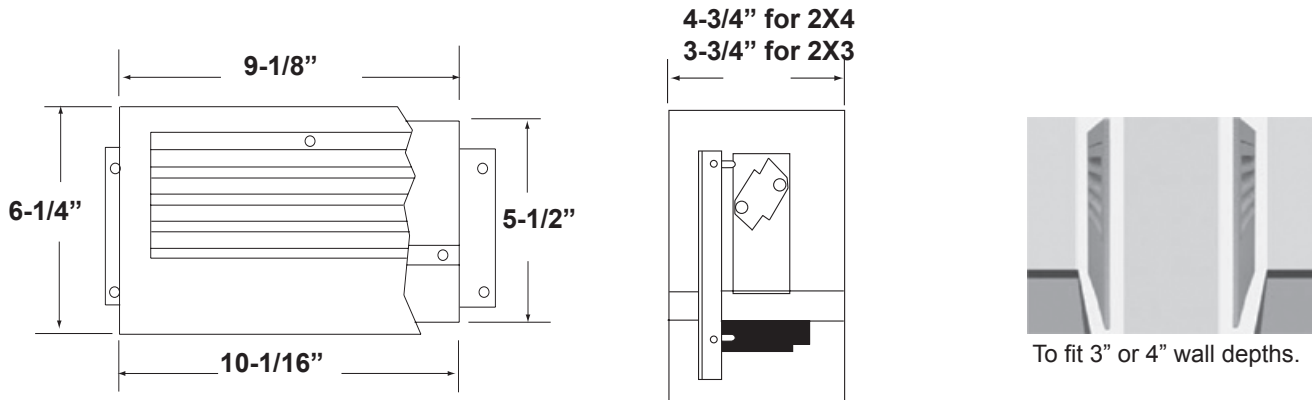
TW SERIES

Fluorescent Maximum Security Nightlight

Morlite

TOUGH SITES TOUGH LITES

Dimensions & Mounting



Photometry

Fixture mounted 16" from floor to bottom edge of fixture. Footcandle measurements based on 1' square grid, started directly under the fixture and at centerline. Readings are for only half of the pattern and assume symmetry.

0	.57	.59	.46	.22	.08
1	3.0	2.1	.97	.49	.30
2	2.3	2.0	1.2	.70	.41
3	1.5	1.4	1.1	.68	.46
4	.97	.94	.78	.59	.44
0	1	2	3	4	

Options



Easy Access for maintenance



LED Steel Thru wall back box available in 3" or 4" depth



Die cast faceplates standard.



Brushed stainless steel faceplates optional.



White LED Option



Blue LED Option



Amber/Red LED Option



Hospital Grade Duplex and Emergency Sign Options