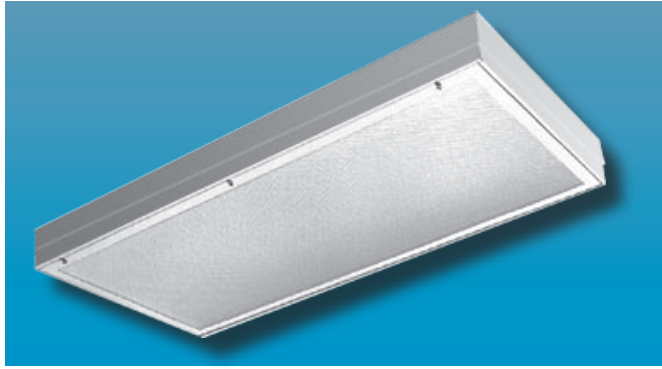


TE SERIES

RECESSED 1" GRID



MINIMUM SECURITY

Specifier's Reference

Project Name	Type
Catalog No.	
Comments	

- **Listings/Certifications:** Wet location, ETL (US/Canada) listing

Specifications

- **Housing:** One-piece, die-formed 18-gauge cold rolled steel housing with lapped and welded seams.
- **Door:** One-piece, die-formed 18 gauge cold rolled steel door.
- **Lens:** .125" thick clear prismatic acrylic standard. Optional lensing shown below.
- **Lens Retention:** Full length, vertically adjustable "Z" shaped retaining angles secured by through studs and die cast locknuts.
- **Gasket:** Closed cell neoprene gasketing suitable for wet location applications.
- **Lamps:** See below for lamping options. Lamps supplied by others.
- **Ballasts:** Standard universal voltage 120V through 277V electronic 90% power factor <10% THD. Other ballast options available.
- **Finish:** Multi stage pretreatment process. Standard baked white polyester powder coat paint finish. Gloss 85%, reflectance 90% salt spray 1000 hours. Optional AgION™ antimicrobial finish available.
- **Mounting:** Units designed for installation in a standard 1" inverted T-grid ceiling system.

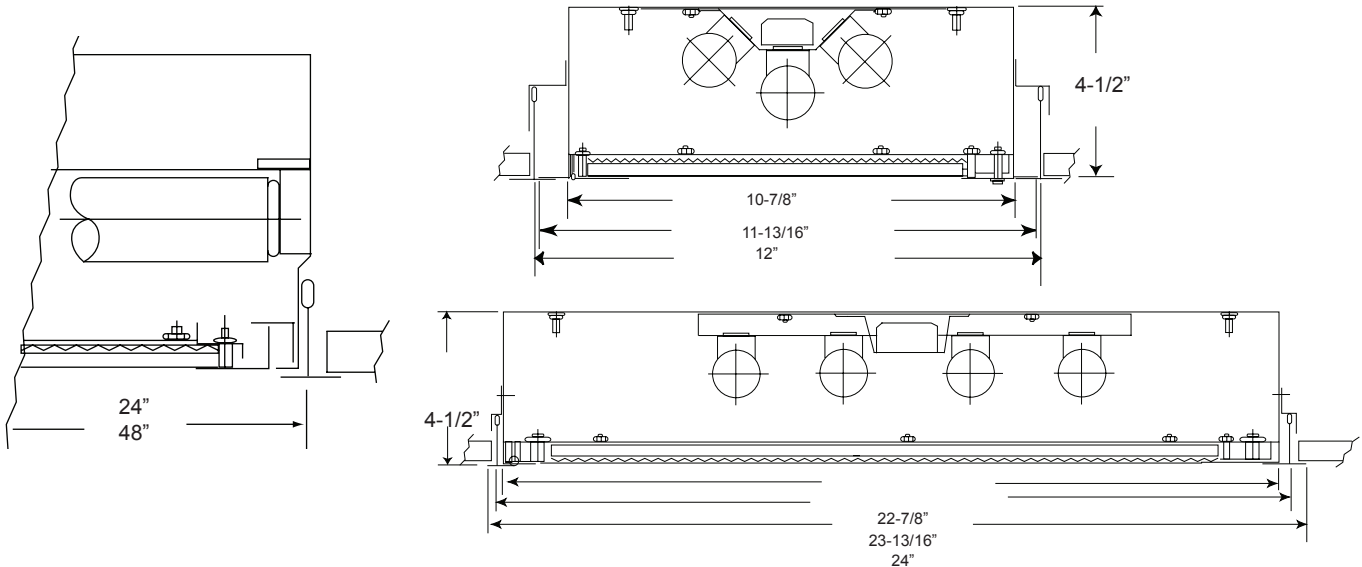
Ordering Information

Example: **TE - 24 - 4 - T5 - EB10IS - A - SSD - F1 - UNV**

Series	Size	No. Lamps	Lamp Type	Ballast Type	Lens Type	Fasteners	Options	Voltage
TE	-	-	-	-	-	-	-	-
	-24 2 X 4 Unit	-4 Four Lamps (2X4 or 2X2 only)	-T8 32W (2X4) 17W (2X2) 32W (1X4)	-EB10IS Electronic Ballast <10% THD Instant Start	ENVIRONMENT SIDE -4 .375 Clear Polycarbonate (standard) -8 .375" Clear Tempered Glass LAMP SIDE -A .125 Prismatic Polycarbonate -C .140 DR Prismatic Acrylic -G .156 Prismatic Tem- pered Glass -UV .007 UV Absorbing Overlay	-F1 Allen Head - center pin reject, standard -SF Specified Fastener	-EMG1 1-Lamp Emergency Power Pak 500 Lumen initial output, 90 minute, 32° start temp. -EMG2 2-Lamp Emergency Power Pak 1100 Lumen initial output, 90 minute, 32° start temp. -SSF 18 gauge Stainless Steel Door & frame, 19 gauge CRS Housing -SS Stainless Steel 18 gauge Door & 20 gauge Housing -AL .050" Aluminum door & housing. -AG AgION™ Antimicrobial Protection in Powder Coat Paint -FS GLR/HLR Fuse & Holder set -PL7 7W PL Nightlight	-UNV (120V- 277V) -347V
	-22 2 X 2 Unit	-3 Three Lamps	-T5 28W (2X4) 14W (2X2) 28W (1X4)	-SB Specified Ballast				
	-14 1 X 4 Unit	-2 Two Lamps	-T5HO 54W (2X4) 24W (2X2) 54W (1X4)					

Note: Contact Factory For Additional Configurations.

Dimensions & Mounting



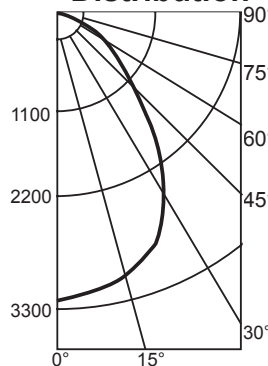
Photometry

Zonal Cavity Coefficient of Utilization

I.T.L. Test No. ITL 37589, Product Catalog Number:
TE-24-4T8-EB10IS-4/A-SS-F1-UNV
Lamps: Four 32WT8, each rated 3150

Floor Ceilings Walls(%)	80%				20% 70%				50%			
	70	50	30	10	70	50	30	10	50	30	10	
0	76	76	76	76	74	74	74	74	71	71	71	
1	70	67	65	63	68	66	64	62	63	62	60	
2	65	60	56	53	63	59	56	53	57	54	51	
3	60	54	50	46	58	53	49	45	51	48	45	
4	55	49	44	40	54	48	43	40	46	42	39	
5	51	43	38	34	50	43	38	34	42	37	34	
6	47	39	34	30	46	39	34	30	38	33	30	
7	44	35	30	27	43	35	30	26	34	30	26	
8	40	32	27	23	39	31	27	23	31	26	23	
9	37	29	24	20	36	28	23	20	28	23	20	
10	34	26	21	18	34	26	21	18	25	21	18	

**Candlepower
Distribution**



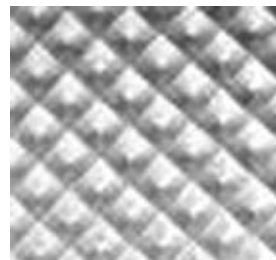
**Average Luminance
in Footlamberts**

Vertical Angles	Average Brightness	
	Norm	Para
45°	1593	1333
55°	1230	1041
65°	797	749
75°	967	697
85°	1058	1058

Lumin. Eff.	Spacing Cross	Maint. Factor
63.6%	1.4	85%

Options

Antimicrobial: Agion™ Antimicrobial protection using silver technology inhibits bacterial colonization on metal interior and exterior surfaces. Agion™ antimicrobial FDA recognized and EPA registered, meeting all applicable EPA standards.



.125 Prismatic Acrylic Lens Standard



Closed Cell Neoprene Gasket Standard