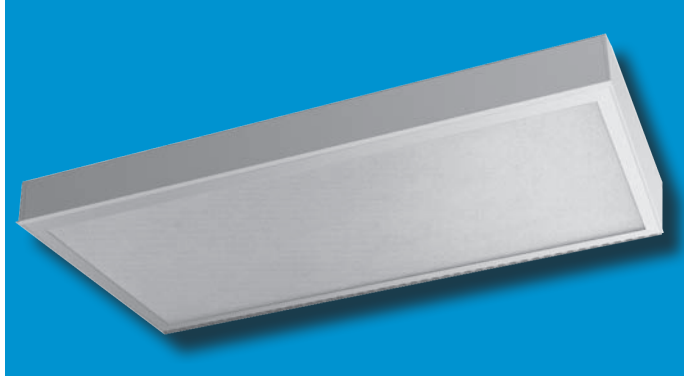


# SMAX-TG SERIES

12 GAUGE RECESSED 1" T-GRID TROFFER



# SUPER MAXIMUM SECURITY

Specifier's Reference	
Project Name	Type
Catalog No.	
Comments	

- **Listings/Certifications:** ETL (US/Canada) listing

## Specifications

- **Housing:** One-piece, die-formed 12 gauge cold rolled steel housing with welded flange seams. 18 gauge ends.
- **Door:** One-piece, die-formed cold rolled steel door.
- **Lens:** .125" thick clear prismatic acrylic standard. Optional lensing shown below.
- **Lens Retention:** Vertically adjustable "Z" shaped retaining angles secured by through studs and die cast locknuts.
- **Hinge:** 16 gauge 1/4" diameter knuckle, continuous piano hinge with welded pin ends. Hinge welded to housing and door.
- **Lamps:** See below for lamping options. Lamps supplied by others.
- **Ballasts:** Standard universal voltage 120V through 277V electronic 90% power factor <10% THD. Other ballast options available.
- **Finish:** Multi stage pretreatment process. Standard baked white polyester powder coat paint finish. Gloss 85%, reflectance 90% salt spray 1000 hours. Optional AgION™ antimicrobial finish available.
- **Mounting:** Standard mounting hardware, 14-Ga galvanized steel "U" channel mount, accommodates various ceiling types & thicknesses. Optional plaster frame also available.

## Ordering Information

Example: **SMAX - TG - 24 - 4 - T5 - EB10IS - 9/A - SS - F1 - UNV**

Series	Size	No. Lamps	Lamp Type	Ballast Type	Lens Type	Fasteners	Options	Voltage
<b>SMAX-TG</b>	-	-	-	-	/	-	-	-
	<b>-24</b> 2 X 4 Unit	<b>-4</b> Four Lamps	<b>-T8</b> 32W (2X4) 17W (2X2) 32W (1X4)	<b>-EB</b> Electronic Ballast <10% THD Instant Start	<b>ENVIRONMENT</b> <b>SIDE</b> <b>-5</b> .500" Clear Polycarbonate (standard) <b>-9</b> .500" Clear Tempered Glass <b>LAMP SIDE</b> <b>-A</b> .125 Prismatic Polycarbonate <b>-E</b> .125 Prismatic Polycarbonate <b>-G</b> .156 Prismatic Tempered Glass <b>-UV</b> .007 UV Absorbing Overlay	<b>-F1</b> Allen Head - center pin reject, standard <b>-SB</b> Specified Fastener	<b>-EMG1</b> 1-Lamp Emergency Power Pak 500 Lumen initial output, 90 minute, 32° start temp. <b>-EMG2</b> 2-Lamp Emergency Power Pak 1100 Lumen initial output, 90 minute, 32° start temp. <b>-SS</b> Stainless Steel Door & Housing <b>-AG</b> AgION™ Antimicrobial Protec- tion in Powder Coat Paint <b>-GLR</b> GLR/HLR Fuse & Holder set <b>-PL7</b> 7W PL Nightlight	<b>-UNV</b> (120V- 277V) <b>-347V</b>
	<b>-22</b> 2 X 2 Unit	<b>-3</b> or 2X2 only Three Lamps	<b>-T5</b> 28W (2X4) 14W (2X2) 28W (1X4)	<b>-SB</b> Specified Ballast				
	<b>-14</b> 1 X 4 Unit	<b>-2</b> Two Lamps	<b>-T5HO</b> 54W (2X4) 24W (2X2) 54W (1X4)					

Note: Contact Factory For Additional Configurations.

**Morlite**  
TOUGH SITES ..... TOUGH LITES

1805 Pittsburgh Ave, Erie, PA 16502 • 800-865-5954 • Fax 800-667-9959



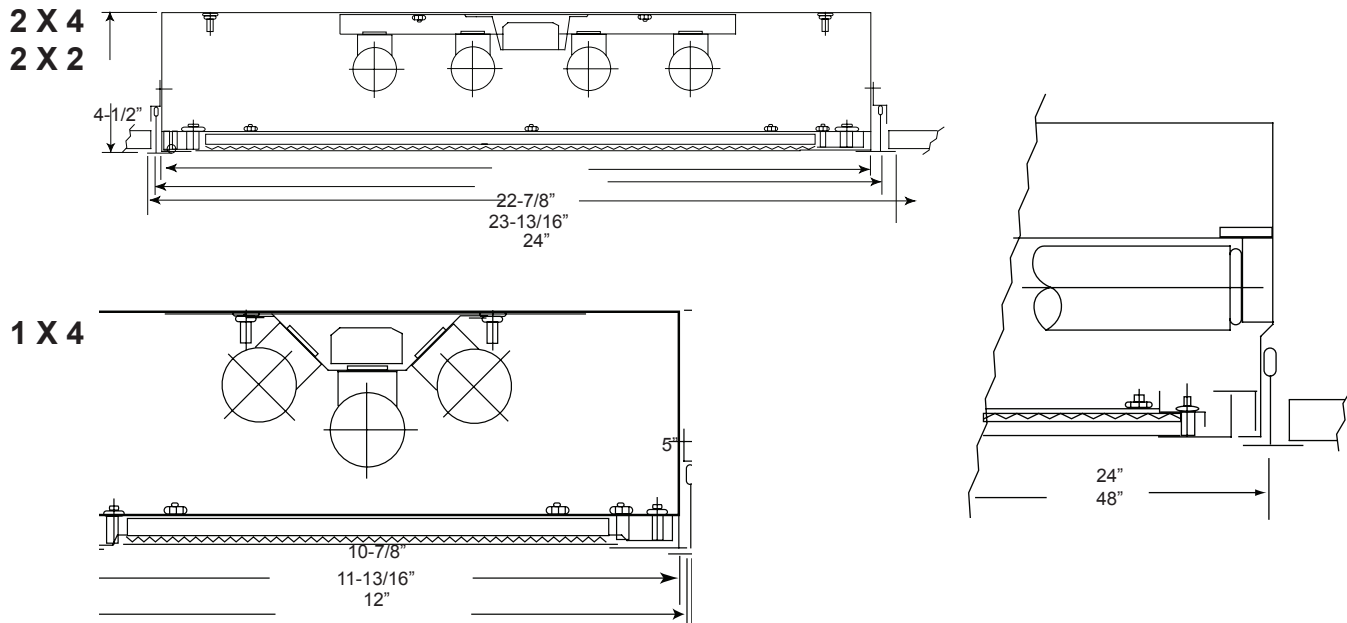
# SMAX-TG SERIES

SUPER MAXIMUM SECURITY RECESSED 1" T-GRID

# Morlite

TOUGH SITES .... TOUGH LITES

## Dimensions & Mounting



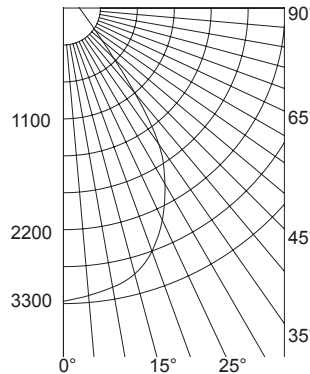
## Photometry

### Zonal Cavity Coefficient of Utilization

I.T.L. Test No. ITL 43612, Product Catalog Number:  
 SMAX-TG-24-4T8-EB10IS-120V  
 Lamps: Four 32WT8, each rated 3150

Floor Ceilings Walls(%)	80%			20% 70%			50%				
	70	50	30	10	70	50	30	10	50	30	10
0	76	76	76	76	74	74	74	74	71	71	71
1	71	68	66	64	69	67	64	62	64	62	61
2	65	60	57	53	63	59	58	53	57	54	51
3	60	54	49	45	58	53	48	45	51	47	44
4	55	48	43	39	54	47	43	39	46	42	38
5	51	43	38	34	50	43	38	34	41	37	34
6	47	39	34	30	46	39	34	30	38	33	30
7	44	36	31	27	43	35	30	27	34	30	27
8	41	33	28	24	40	32	27	24	32	27	24
9	38	30	25	22	37	30	25	22	29	25	22
10	36	28	23	20	35	28	23	20	27	23	20

### Candlepower Distribution



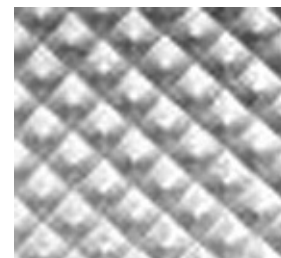
### Average Luminance in Footlamberts

Vertical Angles	Average Brightness	
	Norm	Para
45°	4560	4796
55°	3466	3442
65°	2447	1969
75°	1762	1635
85°	619	619

Lumin. Effi.	Spacing Cross	Maint. Factor
44.5%	1.4	85%

## Options

**Antimicrobial:** Agion™ Antimicrobial protection using silver technology inhibits bacterial colonization on metal interior and exterior surfaces. Agion™ antimicrobial FDA recognized and EPA registered, meeting all applicable EPA standards.



.125 Prismatic Acrylic Lens Standard

# Morlite

a Genlyte company

1805 Pittsburgh Ave, Erie, PA 16502 • 800-865-5954 • Fax 800-667-9959