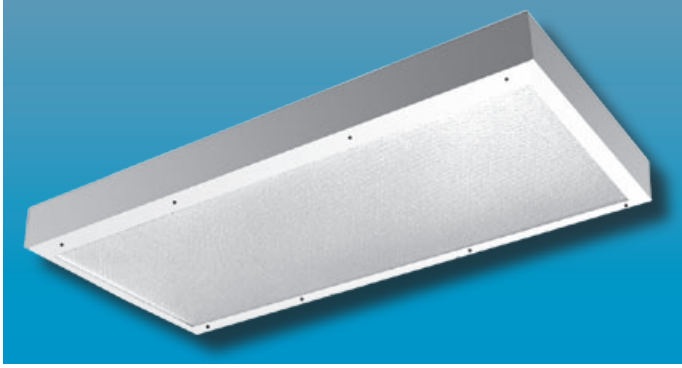


SMAX-SDPH SERIES

12GA SURFACE
WITH DROP HINGE DOOR



SUPER MAXIMUM SECURITY

Specifier's Reference

Project Name	Type
Catalog No.	
Comments	

- **Listings/Certifications:** ETL (US/Canada) listing

Specifications

- **Housing:** One piece 12-gauge steel clamshell housing. All exposed seams continuous welded.
- **Door:** 12-gauge cold rolled steel drop hinged door with mitered corners and closed cell gasket.
- **Lens:** .50" thick clear polycarbonate standard. Optional lensing shown below.
- **Gasket:** 4lb density polyester foam standard. Closed cell available with -WL Wet Location option.
- **Lamps:** See below for lamping options. Lamps supplied by others.
- **Lens Retention:** Vertically adjustable "Z" shaped retaining angles secured by through studs and die cast locknuts.
- **Ballasts:** Standard universal voltage 120V through 277V electronic 90% power factor <10% THD. Other ballast options available.
- **Finish:** Standard baked white polyester powder coat paint finish. Optional AgION™ antimicrobial finish available.
- **Mounting:** Embossed mounting holes in backplate to provide direct contact with mounting surface. See mounting details.

Ordering Information

Example: **SMAX - SDPH - 24 - F - 4 - T5 - EB10IS - 9/A - SSD - F1 - UNV**

Series	Length	No. Lamps	Lamp Type	Ballast Type	Lens Type	Fasteners	Options	Voltage
SMAX-SDPH	- [] -	[] -	[] -	[] -	[] / [] -	[] -	[] -	[] -
	-24 2 X 4 Unit	-4 Four Lamps	-T8 32W (2X4) 17W (2X2) 32W (1X4)	-EB10IS Electronic Ballast <10% THD Instant Start	ENVIRONMENT -5 .50" Clear Polycarbonate (standard)	-F1 Allen Head - center pin reject, standard	-EMG1 1-Lamp Emergency Power Pak 500 Lumen initial output, 90 minute, 32° start temp.	-UNV (120V- 277V) -347V
	-22 2 X 2 Unit	(2X4 or 2X2 only)	-T5 28W (2X4) 14W (2X2) 28W (1X4)	-SB Specified Ballast	-9 .50" Clear Tempered Glass	-SB Specified Fastener	-EMG2 2-Lamp Emergency Power Pak 1100 Lumen initial output, 90 minute, 32° start temp.	
	-14 1 X 4 Unit	Three Lamps	-T5HO 54W (2X4) 24W (2X2) 54W (1X4)		LAMP SIDE -A .125 Prismatic Acrylic		-SSD Stainless Steel Door, CRS Housing	
		-3 Three Lamps			-E .125 Prismatic Polycarbonate		-SS Stainless Steel Door & Housing	
		-2 Two Lamps			-G .156 Prismatic Tempered Glass		-AG AgION™ Antimicrobial Protection in Powder Coat Paint	
					-UV .007 UV Absorbing Overlay		-GLR GLR/HLR Fuse & Holder set	
							-PL7 7W PL Nightlight	

Note: Contact Factory For Additional Configurations.

Morlite
TOUGH SITES TOUGH LITES

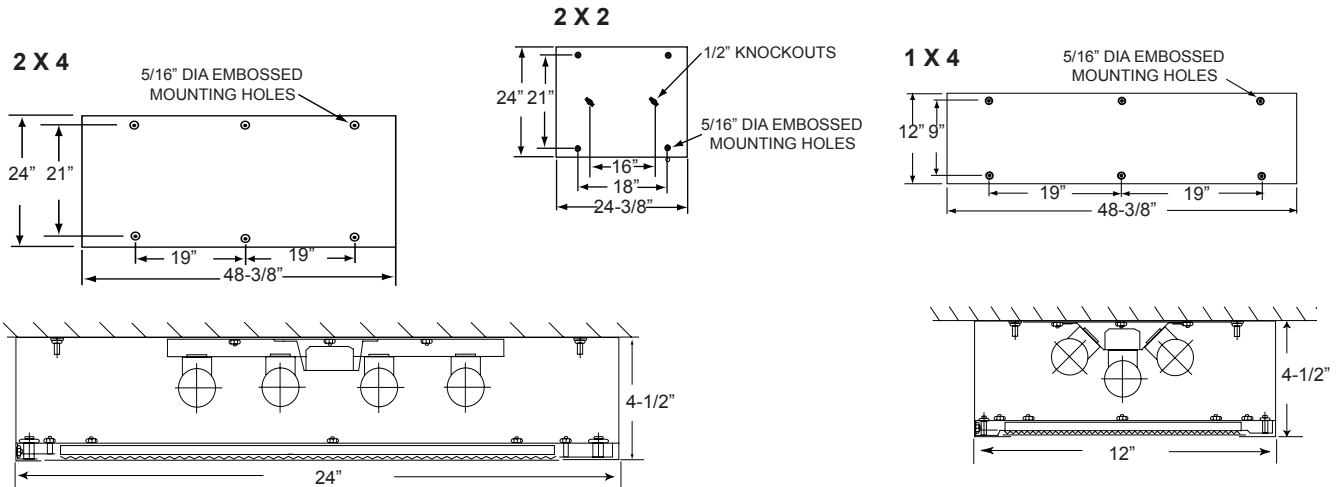
1805 Pittsburgh Ave, Erie, PA 16502 • 800-865-5954 • Fax 800-667-9959



SMAX-SDPH SERIES
 12GA SUPER MAXIMUM SECURITY
 SURFACE WITH DROP HINGE DOOR



Dimensions & Mounting

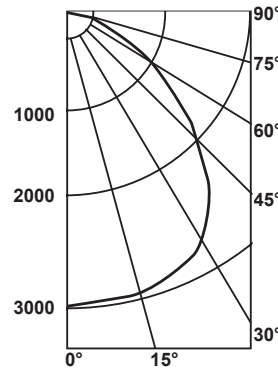


Photometry

Zonal Cavity Coefficient of Utilization
 I.T.L. Test No. ITL 37573, Product Catalog Number:
 SMAX-SDPH-24-F-4-T8-EB10IS-9/A-SSD-F1-UNV
 Lamps: Four 32WT8, each rated 3150

Floor Ceilings Walls(%)	80%				20% 70%				50%			
	70	50	30	10	70	50	30	10	50	30	10	
0	69	69	69	69	68	68	68	68	65	65	65	
1	65	62	60	58	63	61	59	58	59	57	56	
2	60	58	53	50	58	55	52	49	53	50	48	
3	55	50	46	43	54	49	46	43	48	44	42	
4	51	45	41	37	50	44	40	37	43	39	38	
5	47	40	36	32	46	40	37	43	39	36	32	
6	44	35	32	28	42	38	31	28	35	31	28	
7	40	33	29	25	39	32	28	25	32	27	24	
8	37	29	25	22	36	29	25	21	28	24	21	
9	34	28	22	19	33	26	22	19	25	21	19	
10	32	24	20	16	31	24	19	15	23	19	16	

**Candlepower
 Distribution**



**Average Luminance
 in Footlamberts**

Vertical Angles	Average Brightness	
	Norm	Para
45°	1184	607
55°	1376	473
65°	1511	383
75°	1354	310
85°	1199	175

Lumin. Effi.	Spacing Cross	Maint. Factor
41.5%	1.4	85%

Options

Antimicrobial: Agion™ Antimicrobial protection using silver technology inhibits bacterial colonization on metal interior and exterior surfaces. Agion™ antimicrobial FDA recognized and EPA registered, meeting all applicable EPA standards.



.125 Prismatic Acrylic
 Lens Standard