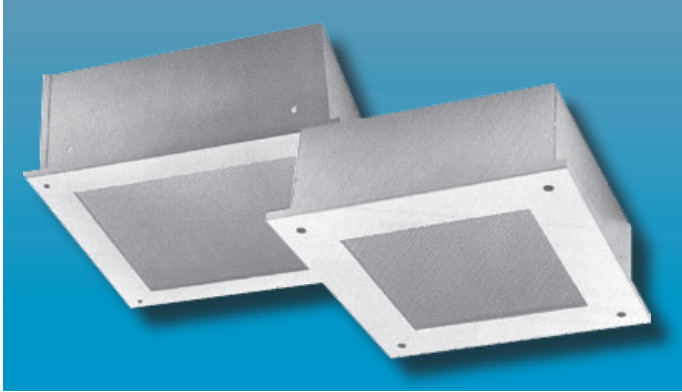


SMAX-FH SQUARE SERIES

SUPER MAXIMUM SECURITY
RECESSED FLANGE TROFFER

SUPER MAXIMUM SECURITY



Specifier's Reference	
Project Name	Type
Catalog No.	
Comments	

- Listings/Certifications: ETL (US/Canada) listing

Specifications

- **Housing:** 12 gauge, one-piece die-formed welded housing. Optional stainless steel housing available.
- **Door:** 12 gauge one-piece die-formed cold rolled steel Available in brushed stainless steel as option.
- **Lens:** Standard .125" thick clear prismatic acrylic with clear polycarbonate overlay. Optional lensing shown below.
- **Lens Retention:** Vertically adjustable "Z" shaped retaining angles secured with through studs and die-cast locknuts.
- **Hinge:** 14 gauge 1/4" diameter knuckle, continuous piano hinge with welded pin ends. Hinge welded to housing and door.
- **Fasteners:** Fully recessed, captive, center pin reject Allen head standard.
- **Lamps:** See below for lamping options. Lamps supplied by others.
- **Ballasts:** Standard Class P, sound rated A electronic ballasts. Other ballast options available.
- **Finish:** Standard baked white polyester powder coat paint finish. Optional AgION™ antimicrobial finish available.
- **Mounting:** 14 gauge galvanized steel "U" channel mount accomodates various ceiling types and thicknesses. Additional mounting options shown below. Support above plenum by others. Optional plaster frame also available.

Ordering Information

Example: **SMAX - FH - 125 - 2PL13 - 9/A - SS - UNV**

Series	Size	Lamp Type	Lens Type	Fasteners	Options	Voltage
SMAX-FH						
	-125 12" Square Unit	FH125 -150 One 150W A21 Incandescent	ENVIRONMENT SIDE -5 .50" Clear Polycarbonate (standard)	-F1 Allen Head - center pin reject, standard	-SS Stainless Steel Housing, Brushed Stainless Steel Door	-120V
	-188 18" Square Unit	-2PL9 Two PL9 -2PL13 Two PL13 -2PL26 Two 26W Quad -1PLT32 One 32W Triple -1PLT42 One 42W Triple FH188 (Combine Wattage & type up to 250W, i.e. 175MH) -**MH -**MV -**HPS	-9 .50" Clear Tempered Glass LAMP SIDE -A .125 Prismatic Polycarbonate -E .125 Prismatic Poly- carbonate -G .156 Prismatic Tem- pered Glass -UV .007 UV Absorbing Overlay	-SF Specified Fastener	-AG AgION™ Antimicrobial Pro- tection in Powder Coat Paint -GLR GLR/HLR Fuse & Holder set -PF Plaster Frame -EB Electronic Ballast (FH125 only - requires quad lamp) -AUX Auxillary Quartz Restrike hot or cold start (FH188 only) -WL Wet Location	-277V -347V

Note: Contact Factory For Additional Configurations.

Morlite
TOUGH SITES TOUGH LITES

1805 Pittsburgh Ave, Erie, PA 16502 • 800-865-5954 • Fax 800-667-9959

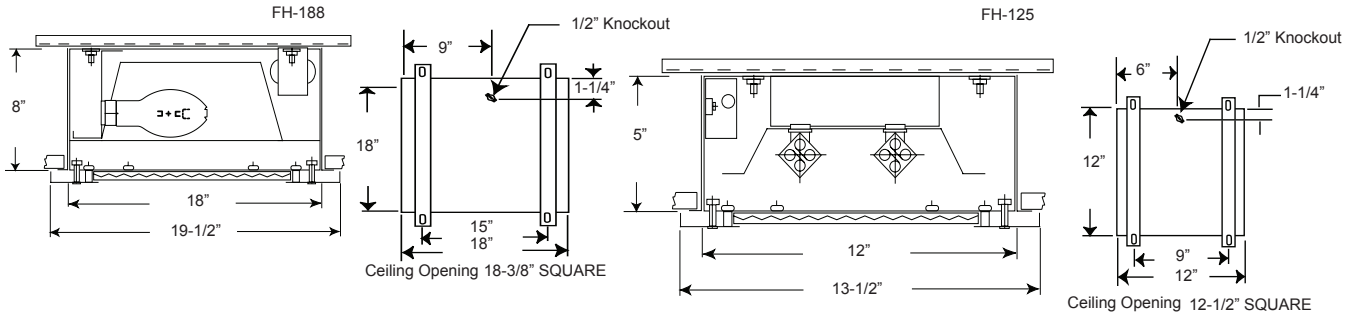


SMAX-FH SQUARE SERIES

SUPER MAXIMUM SECURITY
RECESSED FLANGE TROFFER



Dimensions & Mounting



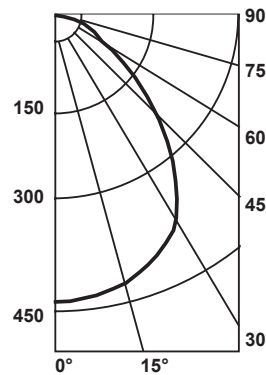
Photometry

Zonal Cavity Coefficient of Utilization

I.T.L. Test No. ITL 37553, Product Catalog Number:
SMAX-FH125-F-2PL13-5/A-F1-SS-120V
Lamps: Two 13W PL Twin Tube, each rated 900

Floor Ceilings Walls(%)	80%				20% 70%				50%			
	70	50	30	10	70	50	30	10	50	30	10	10
0	60	60	60	60	59	59	59	59	56	56	56	56
1	57	55	53	52	55	54	52	51	52	50	49	49
2	53	50	47	45	52	49	46	44	47	45	43	43
3	49	45	42	39	48	44	41	39	43	40	38	38
4	46	41	38	35	45	41	37	35	39	37	34	34
5	43	38	34	31	42	37	34	31	36	33	31	31
6	40	34	30	28	39	34	30	28	33	30	27	27
7	37	31	27	25	36	31	27	24	30	27	24	24
8	34	28	25	22	34	28	25	22	27	24	22	22
9	32	26	22	20	31	26	22	20	25	22	20	20
10	30	24	20	18	29	24	20	18	23	20	18	18

Candlepower Distribution

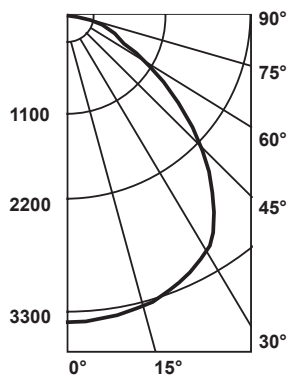


Average Luminance in Footlamberts

Vertical Angles	Average Brightness	
	Norm	Para
45°	1811	1517
55°	1173	1078
65°	831	844
75°	619	657
85°	256	323

Lumin. Effi.	Spacing Cross	Maint. Factor
50.7%	1.3	85%

Candlepower Distribution



Average Luminance in Footlamberts

Vertical Angles	Average Brightness	
	Norm	Para
45°	5323	4066
55°	3133	2833
65°	2152	1745
75°	1359	1331
85°	556	612

Lumin. Effi.	Spacing Cross	Maint. Factor
58.7%	1.4	85%

Zonal Cavity Coefficient of Utilization

I.T.L. Test No. ITL 37560, Product Catalog Number:
SMAX-FH-188-175MH-5/G
Lamps: Clear 175W metal halide, horizontal, rated 12000

Floor Ceilings Walls(%)	80%				20% 70%				50%			
	70	50	30	10	70	50	30	10	50	30	10	10
0	70	70	70	70	68	68	68	68	65	65	65	65
1	66	63	62	60	64	62	60	59	60	58	57	57
2	61	58	55	52	60	57	54	52	55	52	50	50
3	57	52	49	46	56	51	48	45	50	47	45	45
4	53	48	44	41	52	47	43	40	46	42	40	40
5	50	43	39	36	49	43	39	36	42	38	35	35
6	46	40	35	32	45	39	35	32	38	34	32	32
7	43	36	31	28	42	35	31	28	35	31	28	28
8	40	33	28	25	39	32	28	25	32	28	25	25
9	37	30	26	23	36	30	25	23	29	25	22	22
10	34	27	23	20	34	27	23	20	27	23	20	20

Options

Antimicrobial: Agion™ Antimicrobial protection using silver technology inhibits bacterial colonization on metal interior and exterior surfaces. Agion™ antimicrobial FDA recognized and EPA registered, meeting all applicable EPA standards.



.125 Prismatic Acrylic Lens Standard