

MED-NLCH4070 SERIES

Fluorescent Maximum Security Nightlight

INSTITUTIONAL/BEHAVIORAL



Specifier's Reference	
Project Name	Type
Catalog No.	
Comments	

- **Listings/Certifications:** ETL (US/Canada), ADA Compliant

Specifications

- **Housing:** 16 gauge, one-piece die-formed welded housing. Optional stainless steel housing available.
- **Face:** 16 gauge one-piece die-formed cold rolled steel with 3"X6" aperture. Available in brushed stainless steel as option.
- **Lens:** Standard .125" thick clear prismatic acrylic with clear polycarbonate overlay. Optional lensing shown below.
- **Fasteners:** Center pin reject Allen head standard.
- **Lamps:** See below for lamping options. Lamps supplied by others.
- **Ballasts:** Standard Class P, sound rated A magnetic ballasts. Other ballast options available.
- **Finish:** Standard baked white polyester powder coat paint finish. Optional AglION™ antimicrobial finish available.

Ordering Information

Example: **MED - NLCH - 4070 - 1 - A - F1 - SS - UNV**

Series	Lamps	Ballast Type	Lens Type	Fasteners	Options	Voltage
MED-NLCH4070						
	-25 One 25W A19 Incandescent -F4T5 One F4T5 Fluorescent -PL7 One PL7	-MAG Magnetic Ballast Instant Start -SB Specified Ballast	ENVIRONMENT SIDE -3 .250" Clear Polycarbonate (standard) -7 .250" Clear Tempered Glass LAMP SIDE -A .125 Prismatic Polycarbonate -C .140 DR Prismatic Acrylic -G .125 Smooth White Polycarbonate -UV .007 UV Absorbing Overlay	-F1 Allen Head - center pin reject, standard -SF Specified Fastener	-SS Stainless Steel Housing, Brushed Stainless Steel Door -AG AglION™ Antimicrobial Protection in Powder Coat Paint -LLE Lamp Life Extender	-UNV -347V

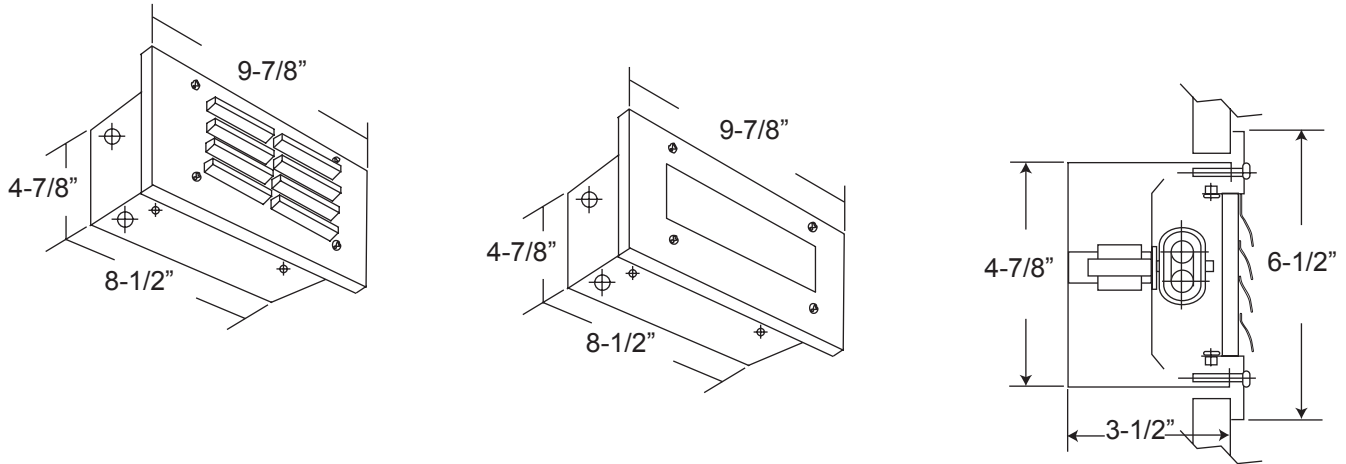
Note: Contact Factory For Additional Configurations.

MED-NLCH4070 Series

Fluorescent Maximum Security Nightlight



Dimensions & Mounting



Photometry

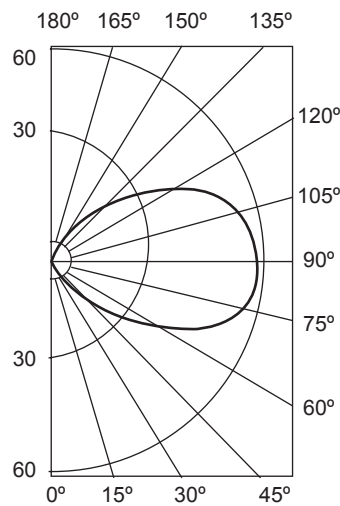
Zonal Cavity Coefficient of Utilization

I.T.L. Test No. ITL 37593, Product Catalog Number: MED-NLCH-4070-PL5

Lamps: One 5W twin tube compact fluorescent, rated 250 lumens.

Floor Ceilings Walls(%)	80%			20% 70%			50%				
	70	50	30	10	70	50	30	10	50	30	10
0	50	50	50	50	46	46	46	46	39	39	39
1	43	39	36	34	39	36	33	31	30	28	26
2	37	32	28	25	34	29	26	22	24	21	18
3	33	27	23	19	30	25	21	17	20	17	14
4	30	24	19	15	27	21	17	14	17	14	11
5	27	20	16	12	24	18	14	11	15	11	09
6	25	18	13	10	22	16	12	09	13	10	07
7	23	16	11	08	20	14	10	07	11	08	06
8	21	14	10	07	19	13	09	06	10	07	05
9	19	13	09	06	17	12	08	05	09	06	04
10	18	12	08	05	16	11	07	05	08	06	04

Candlepower Distribution

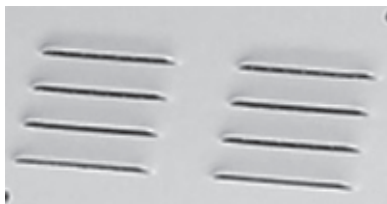


Average Luminance in Footlamberts

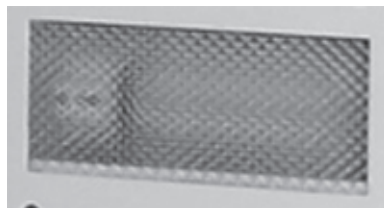
Vertical Angles	Average Brightness	
	Norm	Para
45°	0	887
55°	0	1229
65°	0	1411
75°	0	1443
85°	0	1417

Lumin. Eff.	Spacing Cross	Maint. Factor
47.1%	--	85%

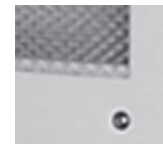
Options



Louver face also available in stainless steel.



Open Face Louver



Prismatic Lens & Tamper-proof screws

