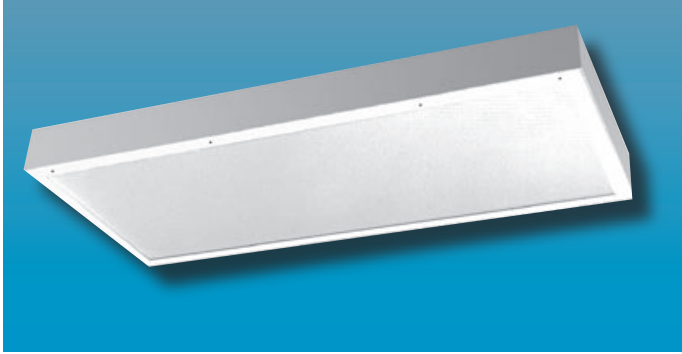


MIN-SH205 SERIES
 MINIMUM SECURITY 20" WIDE
 SURFACE MOUNTED TROFFER

MINIMUM SECURITY



Specifier's Reference	
Project Name	Type
Catalog No.	
Comments	

- **Listings/Certifications:** ETL (US/Canada) listing

Specifications

- **Housing:** 18 gauge, one-piece die-formed welded housing. Optional stainless steel housing available.
- **Door:** 18 gauge one-piece die-formed cold rolled steel Available in brushed stainless steel as option.
- **Lens:** Standard .125" thick clear prismatic acrylic with clear polycarbonate overlay. Optional lensing shown below.
- **Lens Retention:** Vertically adjustable "Z" shaped retaining angles secured with through studs and die-cast locknuts.
- **Hinge:** 14 gauge 1/4" diameter knuckle, continuous piano hinge with welded pin ends. Hinge welded to housing and door.
- **Fasteners:** Fully recessed, captive, center pin reject Allen head standard.
- **Lamps:** See below for lamping options. Lamps supplied by others.
- **Ballasts:** Standard Class P, sound rated A electronic ballasts. Other ballast options available.
- **Finish:** Standard baked white polyester powder coat paint finish. Optional AgION™ antimicrobial finish available.
- **Mounting:** Standard 5/16" diameter mounting holes (4) for surface mounting. Hardware and support above plenum by others.

Ordering Information

Example: **MIN - SH205 - 4 - 6 - T5 - EB10IS - 3/A - SS - UNV**

Series	Size	No. Lamps	Lamp Type	Ballast Type	Lens Type	Fasteners	Options	Voltage
MIN-SH205								
	-4 Nominal 4' Unit	-4 Four Lamps	-T8 4' 32W 2' 17W	-EB10IS Electronic Ballast <10% THD Instant Start	ENVIRONMENT SIDE -1 .125 Clear Polycarbonate (standard)	-F1 Allen Head - center pin reject, standard	-EMG1 1-Lamp Emergency Power Pak 500 Lumen initial output, 90 minute, 32° start temp.	-UNV -347V
	-2 Nominal 2' Unit	-3 Three Lamps	-T5 4' 28W 2' 14W	-SB Specified Ballast	-2 .187 Clear Polycarbonate	-SF Specified Fastener	-EMG2 2-Lamp Emergency Power Pak 1100 Lumen initial output, 90 minute, 32° start temp.	
		-2 Two Lamps	-T5HO 4' 54W 2' 24W		LAMP SIDE -A .125 Prismatic Acrylic		-SS Stainless Steel Hous- ing, Brushed Stain- less Steel Door	
					-E .125 Prismatic Polycarbonate		-AG AgION™ Antimicro- bial Protection in Powder Coat Paint	
					-UV .007 UV Absorbing Overlay		-PL7 7W PL Nightlight	
							-GLR GLR/HLR Fuse & Holder set	

Note: Contact Factory For Additional Configurations.

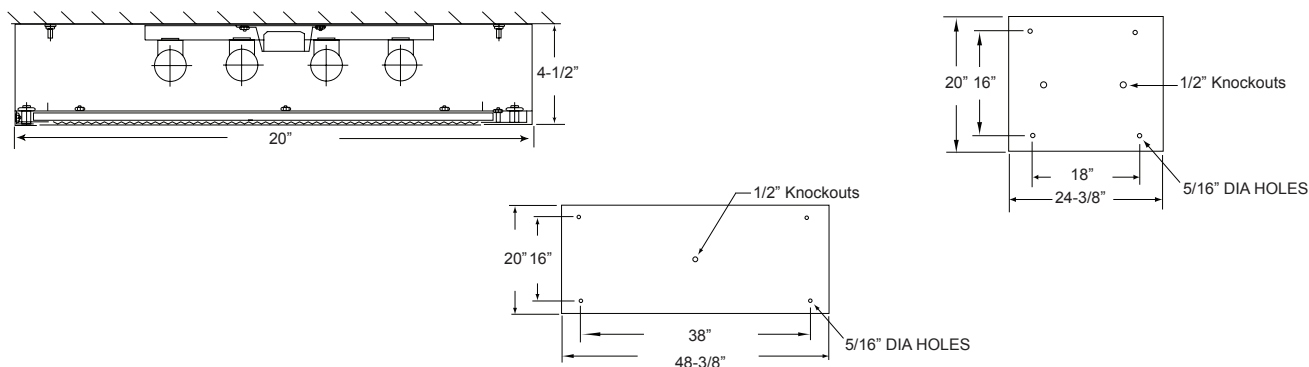
MIN-SH205 SERIES

MINIMUM SECURITY 20" WIDE
SURFACE MOUNTED TROFFER

Morlite

TOUGH SITES TOUGH LITES

Dimensions & Mounting



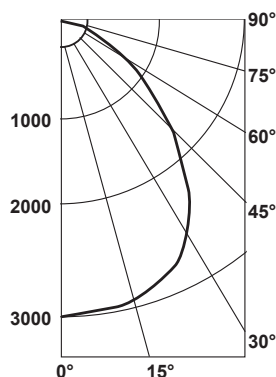
Photometry

Zonal Cavity Coefficient of Utilization

I.T.L. Test No. ITL 37564, Product Catalog Number:
MIN-SH205-4-F-4-T8-EB10IS-3/A-SSD-F1-UNV
Lamps: Four 32WT8, each rated 3150

Floor Ceilings Walls(%)	80%				20% 70%				50%			
	70	50	30	10	70	50	30	10	50	30	10	
0	65	65	65	65	64	64	64	64	61	61	61	
1	61	59	57	55	59	57	56	54	55	54	53	
2	56	53	50	47	55	52	49	47	50	47	45	
3	52	47	44	41	51	47	43	40	45	42	40	
4	48	43	39	35	47	42	38	35	41	37	35	
5	45	38	34	31	43	38	34	31	37	33	30	
6	41	35	30	27	40	34	30	27	33	29	27	
7	38	31	27	24	37	31	27	24	30	26	24	
8	35	28	24	21	34	28	24	21	27	23	21	
9	32	25	21	18	32	25	21	18	24	21	18	
10	30	23	19	16	29	23	19	16	22	18	16	

Candlepower Distribution



Average Luminance in Footlamberts

Vertical Angles	Average Norm	Brightness Para
45°	1597	1370
55°	1112	1013
65°	771	771
75°	603	621
85°	325	271

Lumin. Effi	Spacing Cross	Maint. Factor
54.8%	1.3	85%

Options

Antimicrobial: Agion™ Antimicrobial protection using silver technology inhibits bacterial colonization on metal interior and exterior surfaces. Agion™ antimicrobial FDA recognized and EPA registered, meeting all applicable EPA standards.



.125 Prismatic Acrylic
Lens Standard

Morlite

a Genlyte company