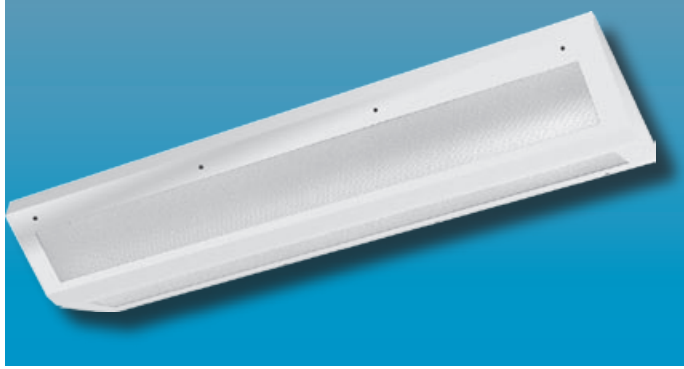


MED-SDPH3030 SERIES

16GA MEDIUM SECURITY SURFACE
WITH DROP HINGE DOOR



MEDIUM SECURITY

Specifier's Reference

Project Name	Type
Catalog No.	
Comments	

• **Listings/Certifications:** ETL (US/Canada) listing

Specifications

- **Housing:** One piece 16-gauge steel clamshell housing. All exposed seams continuous welded.
- **Door:** 16-gauge cold rolled steel drop hinged door with mitered corners and closed cell gasket.
- **Lens:** .250" thick clear polycarbonate standard. Optional lensing shown below.
- **Hinge:** Completely concealed, 16-gauge, 1/4" diameter knuckle, continuous piano hinge with welded pin ends. Hinge welded to one-piece housing and bolted to back plate.
- **Lamps:** See below for lamping options. Lamps supplied by others.
- **Lens Retention:** Vertically adjustable "Z" shaped retaining angles secured by through studs and die cast locknuts.
- **Ballasts:** Standard universal voltage 120V through 277V electronic 90% power factor <10% THD. Other ballast options available.
- **Finish:** Standard baked white polyester powder coat paint finish. Optional AglION™ antimicrobial finish available.
- **Mounting:** Embossed mounting holes in backplate to provide direct contact with mounting surface. See mounting details.

Ordering Information

Example: **MED - SDPH3030 - 4 - 3 - T8 - EB10IS - 7/A - SSD - F1 - UNV**

Series	Length	No. Lamps	Lamp Type	Ballast Type	Lens Type	Fasteners	Options	Voltage
MED-SDPH3030	<input type="text"/>	<input type="text"/>	<input type="text"/>	<input type="text"/>	<input type="text"/>	<input type="text"/>	<input type="text"/>	<input type="text"/>
	-4 4' Unit	-3 Three Lamps	-Biax 40W (2')	-EB10IS Electronic Ballast	ENVIRONMENT SIDE -3 .250" Clear Polycarbonate (standard)	-F1 Allen Head - center pin reject, standard	-EMG1 1-Lamp Emergency Power Pak 500 Lumen initial output, 90 minute, 32" start temp.	-UNV (120V-277V)
	-2 2' Unit	-2 Two Lamps	-T8 32W (4')	-SB Instant Start Specified Ballast	-7 .250" Clear Tempered Glass	-SF Specified Fastener	-EMG2 2-Lamp Emergency Power Pak 1100 Lumen initial output, 90 minute, 32" start temp.	-347V
					LAMP SIDE -A .125 Prismatic Acrylic		-SSD Stainless Steel Door, CRS Housing	
					-C .140 DR Prismatic Acrylic		-SS Stainless Steel Door & Housing	
					-G .156 Prismatic Tempered Glass		-AG AglION™ Antimicrobial Protection in Powder Coat Paint	
					-UV .007 UV Absorbing Overlay		-GLR GLR/HLR Fuse & Holder set	
							-PL7 7W PL Nightlight	

Note: Contact Factory For Additional Configurations.

Morlite
TOUGH SITES TOUGH LITES

1805 Pittsburgh Ave, Erie, PA 16502 • 800-865-5954 • Fax 800-667-9959



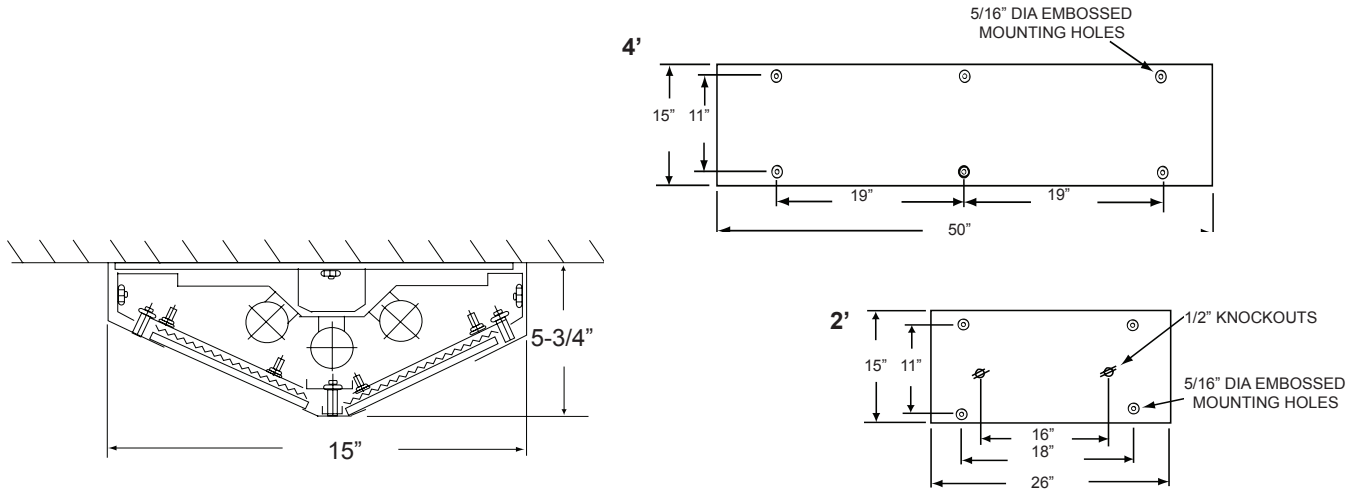
MED-SDPH3030 SERIES

MEDIUM SECURITY SURFACE
WITH DROP HINGE DOOR

Morlite

TOUGH SITES TOUGH LITES

Dimensions & Mounting



Photometry

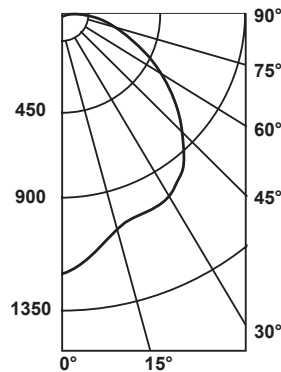
Photometric Data

Zonal Cavity Coefficient of Utilization

I.T.L. Test No ITL37575, Product Catalog Number:
MED-SDPH3030-4-3-T8-EB10IS-7/A-SSD-F1-UNV
Lamps: Three F32T8, each rated 3150

Floor Ceilings Walls(%)	80%				20%				50%				
	70	50	30	10	70	50	30	10	50	30	10	30	10
0	49	49	49	49	48	48	48	48	45	45	45		
1	45	42	41	39	43	41	40	38	39	38	37		
2	40	37	34	31	39	36	33	31	34	32	30		
3	37	32	29	26	36	32	28	26	30	28	25		
4	34	29	25	22	33	28	24	22	27	24	21		
5	31	25	21	18	30	25	21	18	24	20	18		
6	28	22	19	16	27	22	18	16	21	18	15		
7	26	20	16	14	25	20	16	13	19	16	13		
8	24	18	14	12	23	18	14	12	17	14	11		
9	22	16	12	10	21	16	12	10	15	12	10		
10	20	15	11	09	20	14	11	09	14	11	09		

Candlepower Distribution



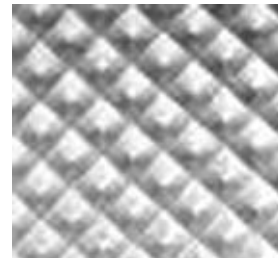
Average Luminance in Footlamberts

Vertical Angles	Average Brightness	
	Norm	Para
45°	1184	607
55°	1376	473
65°	1511	383
75°	1354	310
85°	1199	175

Lumin. Effi.	Spacing Cross	Maint. Factor
41.5%	1.4	85%

Options

Antimicrobial: Agion™ Antimicrobial protection using silver technology inhibits bacterial colonization on metal interior and exterior surfaces. Agion™ antimicrobial FDA recognized and EPA registered, meeting all applicable EPA standards.



.125 Prismatic Acrylic
Lens Standard

Morlite

a Genlyte company