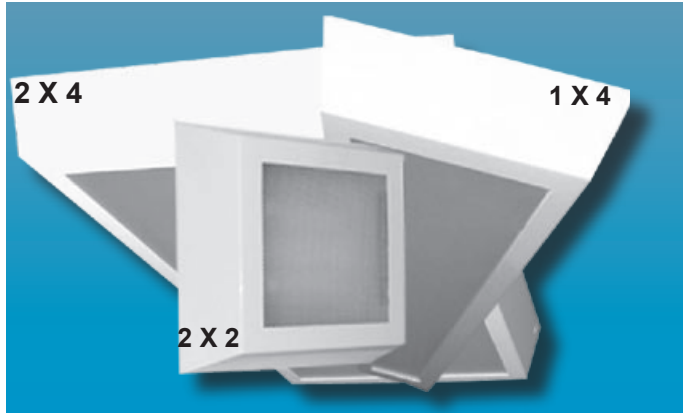


MAX-LPSS SERIES

14-GAUGE LOW PROFILE
SLOPE SIDED SURFACE



MAXIMUM SECURITY

Specifier's Reference	
Project Name	Type
Catalog No.	
Comments	

• Listings/Certifications: ETL (US/Canada) listing

Specifications

- **Housing:** One-piece, die-formed, clamshell, 14-gauge cold rolled steel housing with welded seams.
- **Backplate:** One-piece, die-formed 14-gauge cold rolled steel provides irretrievable contraband trap.
- **Hinge:** Concealed, formed stainless steel piano hinge is welded to housing and bolted to backplate.
- **Lens:** .125" thick clear prismatic acrylic standard. Optional lensing shown below.
- **Lens Retention:** Vertically adjustable "Z" shaped retaining angles secured by through studs and die cast locknuts.
- **Lamps:** See below for lamping options. Lamps supplied by others.
- **Ballasts:** Standard universal voltage 120V through 277V electronic 90% power factor <10% THD. Other ballast options available.
- **Finish:** Multi stage pretreatment process. Standard baked white polyester powder coat paint finish. Gloss 85%, reflectance 90% salt spray 1000 hours. Optional AgION™ antimicrobial finish available.
- **Mounting:** Embossed mounting holes in backplate to provide direct contact with mounting surface.

Ordering Information

Example: **MAX - LPSS - 24 - 4 - T5 - EB10IS - 4/A - F1 - SS - UNV**

Series	Size	No. Lamps	Lamp Type	Ballast Type	Lens Type	Fasteners	Options	Voltage
MAX-LPSS	- [] - [] - [] - [] - [] - [] - [] - [] - []							
	-24 22" X 50" Unit	-4 Four Lamps (2X4 or 2X2 only)	-T8 32W (2X4) 17W (2X2) 32W (1X4)	-EB10IS Electronic Ballast <10% THD Instant Start (PL13 in magnetic only)	ENVIRONMENT SIDE -4 .375 Clear Polycarbonate (standard)	-F1 Allen Head - center pin reject, standard	-EMG1 1-Lamp Emergency Power Pak 500 Lumen initial output, 90 minute, 32° start temp. -EMG2 2-Lamp Emergency Power Pak 1100 Lumen initial output, 90 minute, 32° start temp.	-UNV (120V- 277V) -347V
	-22 22" X 26" Unit	-2 Two Lamps	-T5 28W (2X4) 14W (2X2) 28W (1X4)	-SB Specified Ballast	-8 .375" Clear Tempered Glass LAMP SIDE	-SF Specified Fastener	-SS Brushed Stainless Steel 14 gauge Door & 14 gauge OA Stainless Backplate	
	-14 14" X 50" Unit		-T5HO 54W (2X4) 24W (2X2) 54W (1X4)		-A .125 Prismatic Acrylic -C .140 DR Pris- matic Acrylic -G .156 Prismatic Tempered Glass -UV .007 UV Absorb- ing Overlay		-AG AgION™ Antimicrobial Protection in Powder Coat Paint -GLR GLR/HLR Fuse & Holder set -PL7 7W PL Nightlight -LEDNL LED Nightlight -MTP Touch Plate Control	

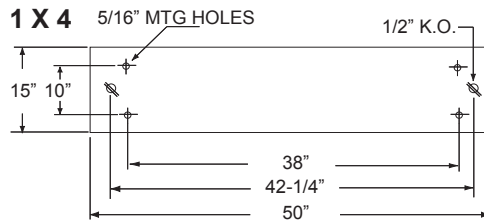
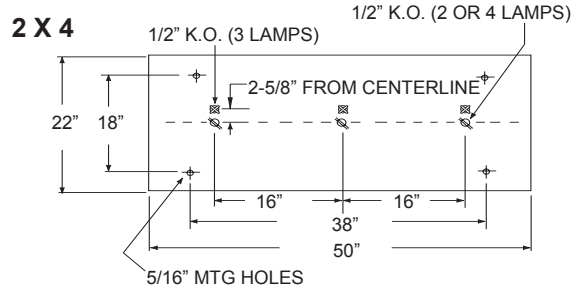
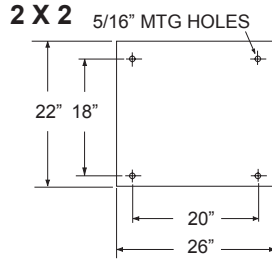
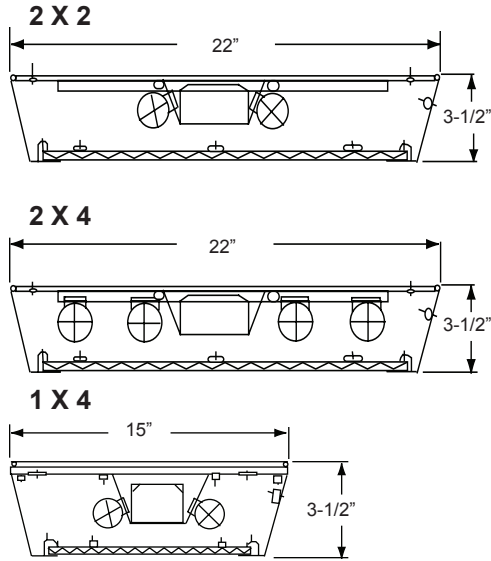
Note: Contact Factory For Additional Configurations.

MAX-LPSS SERIES
 14-GAUGE SUPERMAX LOW PROFILE
 SLOPE SIDED SURFACE



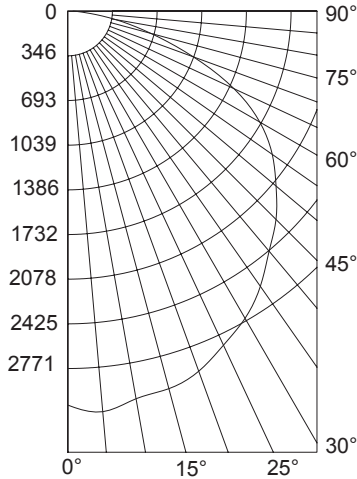
Dimensions & Mounting

75° Sloped Sides & 90° Vertical Ends



Photometry

Candlepower Distribution

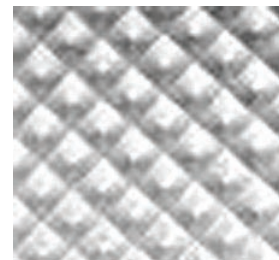


Zonal Cavity Coefficient of Utilization
 Photopia 2.0.0.17 Photometric Report
 Product Catalog Number: MAX-LPSS -24-4-T8-EB10IS-4/A-F1-UNV
 Lamps: Four 32WT8, rated 2850 lumens.
 Luminaire efficiency: 77.3%

Floor	20%														
Ceilings	80%				70%				50%						
Walls(%)	70	50	30	10	70	50	30	10	50	30	10	70	50	30	10
0	92	92	92	92	89	89	89	89	85	85	85	85	85	85	85
1	84	81	78	75	82	79	76	74	76	73	71	71	71	71	71
2	77	71	66	61	75	69	64	61	66	63	59	59	59	59	59
3	70	62	56	51	68	61	55	51	59	54	50	50	50	50	50
4	64	55	48	43	62	54	48	43	52	47	42	42	42	42	42
5	59	49	42	37	57	48	42	37	47	41	36	36	36	36	36
6	54	44	37	32	53	43	37	32	42	36	32	32	32	32	32
7	50	40	33	28	49	39	33	28	38	32	28	28	28	28	28
8	47	36	30	25	46	36	30	25	35	29	25	25	25	25	25
9	44	33	27	23	42	33	27	23	32	26	22	22	22	22	22
10	41	31	25	20	40	30	24	20	29	24	20	20	20	20	20

Options

Antimicrobial: Agion™ Antimicrobial protection using silver technology inhibits bacterial colonization on metal interior and exterior surfaces. Agion™ antimicrobial FDA recognized and EPA registered, meeting all applicable EPA standards.



.125 Prismatic Acrylic Lens
 Lamp Side Standard