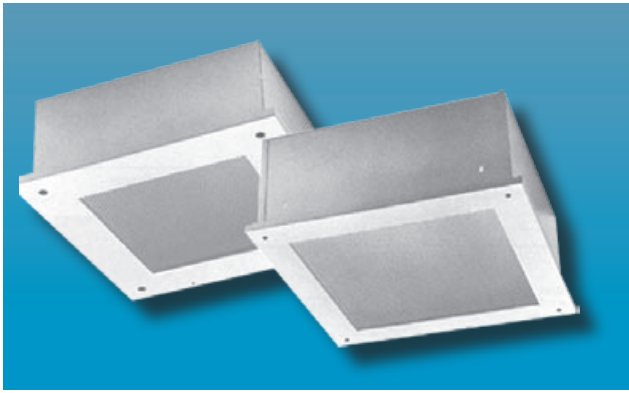


# MAX-FDPH SQUARE SERIES

RECESSED FLANGE WITH DROP HINGE DOOR



# MAXIMUM SECURITY

Specifier's Reference	
Project Name	Type
Catalog No.	
Comments	

- **Listings/Certifications:** ETL(US/Canada). Wet location listing

## Specifications

- **Housing:** 14-gauge cold rolled steel housing with lapped and welded seams.
- **Door:** 14-gauge cold rolled steel drop hinged door with mitered corners and closed cell gasket.
- **Lens:** .375" thick clear polycarbonate standard. Optional lensing shown below.
- **Gasket:** 4lb density polyester foam standard. Closed cell available with -WL Wet Location option.
- **Lamps:** See below for lamping options. Lamps supplied by others.
- **Lens Retention:** Full length, vertically adjustable "Z" shaped retaining angles secured by through studs and die cast locknuts.
- **Ballasts:** Standard universal voltage 120V through 277V electronic 90% power factor <10% THD. Other ballast options available.
- **Finish:** Standard baked white polyester powder coat paint finish. Optional AgION™ antimicrobial finish available.
- **Mounting:** Standard mounting hardware, 14-Ga galvanized steel "U" channel mount, accommodates various ceiling types & thicknesses. Optional plaster frame also available.

## Ordering Information

Example: **MAX - FDPH - 125 - 2PL13 - 8/A - SS - UNV**

Series	Size	Lamp Type	Lens Type	Fasteners	Options	Voltage
<b>MAX-FDPH</b>	- [ ] -	[ ] -	[ ] -	[ ] -	[ ] -	[ ]
	<b>-125</b> 12" Square Unit	<b>FH125</b> (Not Available in HID) <b>-150</b> One 150W A21 Incandescent	<b>ENVIRONMENT SIDE</b> <b>-4</b> .375 Clear Polycarbonate	<b>-F1</b> Allen Head - center pin reject, standard	<b>-SS</b> Stainless Steel Housing, Brushed Stainless Steel Door	<b>-120V</b>
	<b>-188</b> 18" Square Unit	<b>-2PL9</b> Two PL9 <b>-2PL13</b> Two PL13 <b>-2PL26</b> Two 26W Quad <b>-1PLT32</b> One 32W Triple <b>-1PLT42</b> One 42W Triple ..... <b>FH188</b> (Combine Wattage & type up to 250W, i.e. 175MH NOTE: Requires Glass Lenses) <b>-**MH</b> <b>-**MV</b> <b>-**HPS</b>	<b>-8</b> .375" Clear Tempered Glass <b>LAMP SIDE</b> <b>-A</b> .125 Prismatic Polycarbonate <b>-C</b> .140 DR Prismatic Acrylic <b>-G</b> .156 Prismatic Tempered Glass	<b>-SF</b> Specified Fastener	<b>-AG</b> AgION™ Antimicrobial Protection in Powder Coat Paint <b>-GLR</b> GLR/HLR Fuse & Holder set <b>-PF</b> Plaster Frame <b>-AUX</b> Auxillary Quartz Restrike hot or cold start (FH188 only) <b>-WL</b> Wet Location	<b>-277V</b> <b>-347V</b>

Note: Contact Factory For Additional Configurations.

**Morlite**  
TOUGH SITES ..... TOUGH LITES

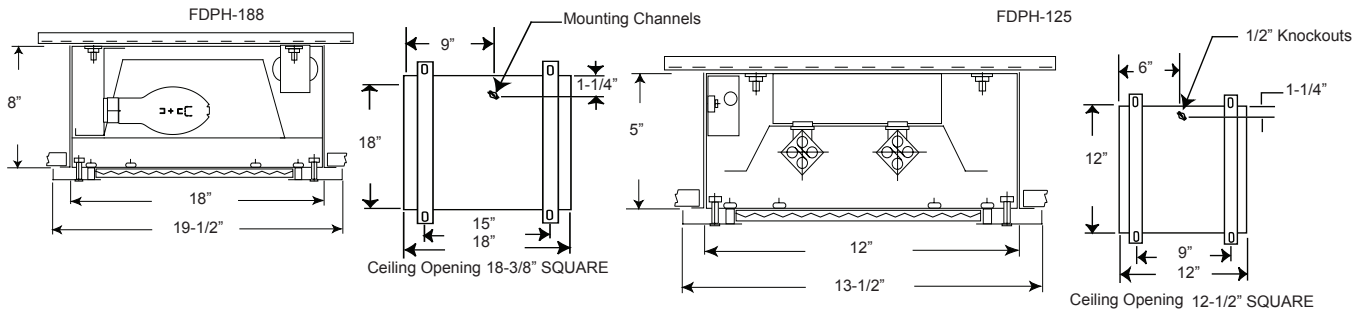
1805 Pittsburgh Ave, Erie, PA 16502 • 800-865-5954 • Fax 800-667-9959



**MAX-FDPH SQUARE SERIES**  
 MAXIMUM SECURITY RECESSED FLANGE  
 WITH DROP HINGE DOOR



**Dimensions & Mounting**

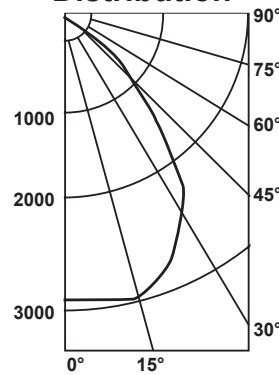


**Photometry**

**Zonal Cavity Coefficient of Utilization**  
 I.T.L. Test No. ITL 37562, Product Catalog Number:  
 MAX-FDPH-188-175MH-8/A-SS-F1-UNV  
 Lamps: Clear 175W metal halide, horizontal, rated 12,000 lumens

Floor Ceilings Walls(%)	80%				20% 70%				50%			
	70	50	30	10	70	50	30	10	50	30	10	
0	65	65	65	65	63	63	63	63	61	61	61	
1	61	59	57	56	60	58	56	55	56	54	53	
2	57	54	51	49	56	53	50	48	51	49	47	
3	53	49	56	43	52	48	45	43	47	44	42	
4	50	45	41	38	49	44	41	38	43	40	38	
5	47	41	37	34	45	40	37	34	39	36	34	
6	43	37	33	30	42	37	33	30	36	33	30	
7	40	34	30	27	39	34	30	27	33	29	27	
8	38	31	27	24	37	31	27	24	30	27	24	
9	35	28	24	22	34	28	24	22	28	24	22	
10	33	26	22	20	32	26	22	20	25	22	19	

**Candlepower Distribution**



FDPH-188  
**Average Luminance in Footlamberts**

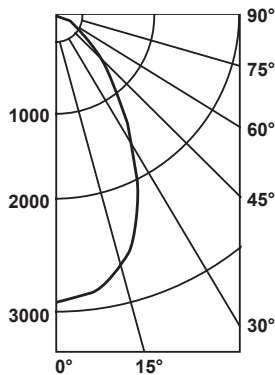
Vertical Angles	Average Brightness	
	Norm	Para
45°	4810	3838
55°	2798	2651
65°	1895	1557
75°	1213	1242
85°	497	585

Lumin. Effi.	Spacing Cross	Maint. Factor
54.5%	1.3	85%

**Zonal Cavity Coefficient of Utilization**  
 I.T.L. Test No. ITL 37557, Product Catalog Number:  
 MAX-FDPH-125-2PL13-8/A-SS-F1-UNV  
 Lamps: Two 13W PL, each rated 900 lumens

**Candlepower Distribution**



FDPH-125  
**Average Luminance in Footlamberts**

Vertical Angles	Average Brightness	
	Norm	Para
45°	1788	1545
55°	1246	1090
65°	854	839
75°	637	660
85°	339	347

Lumin. Effi.	Spacing Cross	Maint. Factor
46.9%	1.2	85%

Floor Ceilings Walls(%)	80%				20% 70%				50%			
	70	50	30	10	70	50	30	10	50	30	10	
0	56	56	56	56	55	55	55	55	52	52	52	
1	52	51	49	48	51	50	48	47	48	47	45	
2	49	46	44	42	48	45	43	41	44	42	40	
3	46	42	39	36	45	41	38	36	40	37	36	
4	43	38	35	32	42	38	35	32	36	34	32	
5	40	35	31	29	39	34	31	29	33	31	28	
6	37	32	28	26	36	31	28	26	31	28	25	
7	34	29	25	23	34	29	25	23	28	25	23	
8	32	27	23	21	31	26	23	21	26	23	20	
9	30	24	21	18	29	24	21	18	23	20	18	
10	28	22	19	17	27	22	19	17	22	19	17	

**Options**

**Antimicrobial:** Agion™ Antimicrobial protection using silver technology inhibits bacterial colonization on metal interior and exterior surfaces. Agion™ antimicrobial FDA recognized and EPA registered, meeting all applicable EPA standards.



.125 Prismatic Acrylic Lens Standard