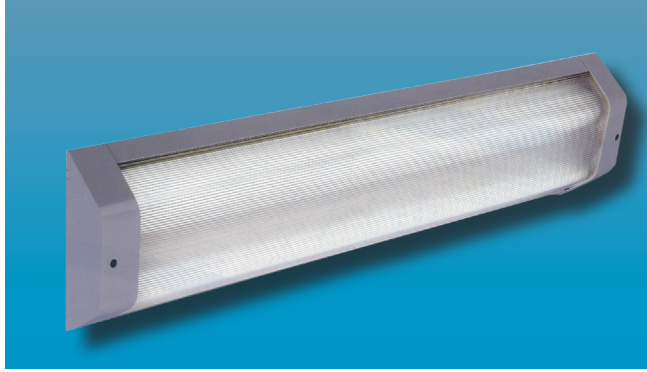


LPL-FP 2000 SERIES

LOW PROFILE LINEAR



FOOD PROCESSING

Specifier's Reference	
Project Name	Type
Catalog No.	
Comments	

- **Listings/Certifications:** ETL (US/Canada). NSF, Wet location listed

Specifications

- **Housing:** Extruded aluminum backplate with die cast aluminum end caps.
- **90° Corners Available** - Consult factory.
- **Lens:** .156" Positive interlocking, lighting grade, UV stabilized, extruded high impact polycarbonate lens with integral linear prisms. Lens sealed to the housing ends with EPDM sponge rubber cord and closed cell neoprene gasketing.
- **Certifications:** UL/CUL, listed wet location. All photometric data certified by an independent testing facility. Meets Americans with Disabilities Act (ADA) requirements for wall mounting applications. 175 psi direct spraydown. NSF listed.
- **Lamps:** 2-lamp configuration. Lamps supplied by others. See below for lamping options.
- **Ballasts:** Standard Class P, sound rated A electronic ballasts. Other ballast options available.
- **Mounting:** Wall or ceiling mounted individually or in continuous rows.
- **Finish:** Multi-stage pretreatment process, standard finishes are baked white, black, grey or bronze polyester powder coating. Gloss 83%, reflectance 90%, salt spray 1,000 hrs. Custom colors available; consult factory. Optional AgION™ antimicrobial finish available.

Ordering Information

Example: LPL - FP - 2024 - T8 - EB10IS - F1 - WO - UNV

Series	Size	Lamp Type	Ballast Type	Fasteners	Options	Voltage
LPL-FP						
	-2002 Nominal 2' Unit	-T8 2' 2-17W 4' 2-32W	-EB10IS Electronic Ballast <10% THD Instant Start Standard	-F1 Allen Head, Center Pin Reject, standard	-EMG1 1-Lamp Emergency Power Pak 500 Lumen initial output, 90 minute, 32° start temp. (4' or 8' only)	-UNV -347V
	-2004 Nominal 4' Unit	-T5 2' 2-14W 4' 2-28W 8' 4-28W	-SB Specified Ballast	-SF Specified fasteners	-EMG2 2-Lamp Emergency Power Pak 1100 Lumen initial output, 90 minute, 32° start temp. (4' or 8' only)	
	-2008 Nominal 8' Unit	-T5HO 2' 2-24W 4' 2-54W 8' 4-54W			-PL7 7W HPF PL Night Light (4' or 8' only)	
					-FS HLR/GLR Fuse & Holder set	
					-WO White Opal Polycarbonate Lens	
					-AG AgION Antimicrobial Protection on Painted Surfaces	

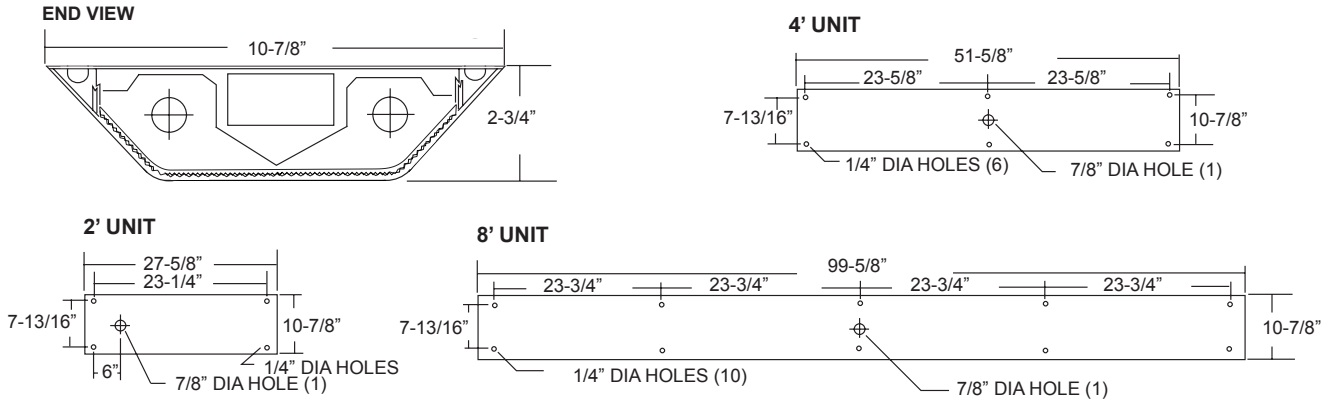
Note: Contact Factory For Additional Configurations.

Morlite
TOUGH SITES TOUGH LITES

1805 Pittsburgh Ave, Erie, PA 16502 • 800-865-5954 • Fax 800-667-9959



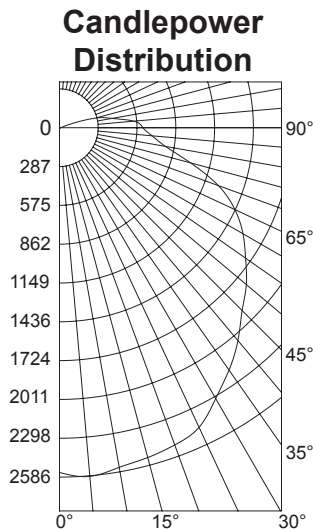
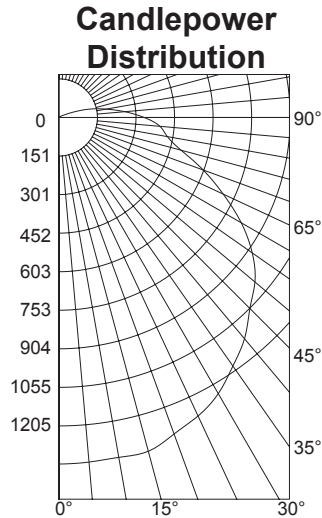
Dimensions & Mounting



Photometry

Zonal Cavity Coefficient of Utilization
Photopia Test, Product Catalog Number: LPL-FP-2024-T8
Lamps: 2 - F032/T8/TL741, rated 2850 lumens, Input Wattage: 64 Watts
Ballast Factor: 1.0, Ballast Type: Electronic, Luminaire Efficiency: 64.7%

Floor	20%											
Ceilings	80%				70%				50%			
Walls(%)	70	50	30	10	70	50	30	10	50	30	10	
0	76	76	76	76	74	74	74	74	69	69	69	
1	69	65	62	59	66	63	60	58	60	57	55	
2	62	56	52	48	60	55	51	47	52	48	45	
3	57	49	44	40	55	48	43	39	46	41	38	
4	52	44	38	34	50	43	37	33	40	36	32	
5	48	39	33	29	46	38	33	28	36	31	28	
6	44	35	29	25	42	34	29	25	33	28	24	
7	41	32	26	22	39	31	26	22	30	25	21	
8	38	29	24	20	37	28	23	20	27	23	19	
9	35	27	21	18	34	26	21	18	25	20	17	
10	33	25	19	16	32	24	19	16	23	19	16	



Zonal Cavity Coefficient of Utilization
Photopia Test, Product Catalog Number: LPL-4-T5HO
Lamps: 2 - F054/T5HO/TL741, rated 2850 lumens, Input Wattage: 108 Watts
Ballast Factor: 1.0, Ballast Type: Electronic, Luminaire Efficiency: 64.7%

Floor	20%											
Ceilings	80%				70%				50%			
Walls(%)	70	50	30	10	70	50	30	10	50	30	10	
0	108	108	108	108	105	105	105	105	99	99	99	
1	97	92	87	83	94	89	85	81	84	81	78	
2	87	79	72	66	84	77	70	65	73	67	63	
3	79	69	60	54	76	67	59	53	63	57	52	
4	72	60	52	45	69	59	51	45	56	49	43	
5	66	54	45	38	64	52	44	38	50	43	37	
6	61	48	39	33	59	47	39	33	45	38	32	
7	56	43	35	29	54	42	34	29	40	33	28	
8	52	39	31	26	51	39	31	26	37	30	25	
9	49	36	28	23	47	35	28	23	34	27	22	
10	46	33	26	21	44	33	25	21	31	25	20	