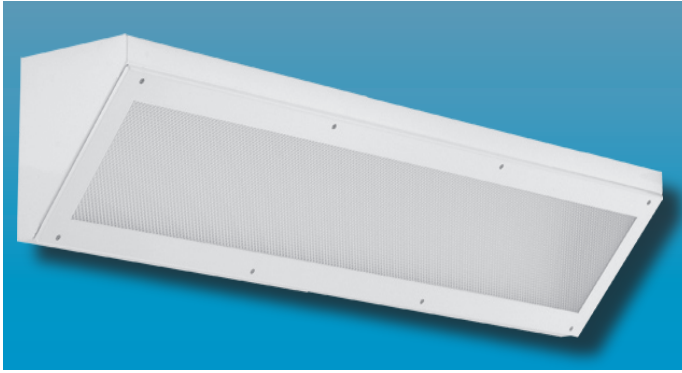


FPC SERIES

CORNER MOUNTED FOOD PROCESSING

FOOD PROCESSING



Specifier's Reference

Project Name	Type
Catalog No.	
Comments	

- **Listings/Certifications:** ETL (US/Canada).
NSF, Wet location listed

Specifications

- **Housing:** 20-gauge cold rolled steel "hole-free" housing with lapped and welded seams.
- **Door:** 18-gauge one-piece cold rolled steel door.
- **Lens:** Standard .125" thick clear prismatic acrylic with smooth side exposed to facilitate cleaning. Optional lensing shown below.
- **Lens Retention:** Continuous formed channels for positive retention.
- **Gasket:** Lens and door sealed with closed cell neoprene sponge door and lens gasketing. Perimeter of end plates sealed with silicone caulking.
- **Lamps:** 32W T8 lamps supplied by others.
- **Ballasts:** Standard universal voltage 120V through 277V electronic 90% power factor <10% THD. Other ballast options available.
- **Finish:** Standard baked white polyester powder coat paint finish. Optional AglION™ antimicrobial finish available.

Ordering Information

Example: **FPC - 4 - 2 - EB10IS - A - SS - UNV**

Series	Size	No. Lamps	Lamp Type	Ballast Type	Lens Type	Options	Voltage
FPC	-4 Nominal 4' Unit	-2 Two F032 T8 Lamps	-EB10IS Electronic Ballast <10% THD Instant Start	-A .125 Prismatic Acrylic (standard)	-EMG1 1-Lamp Emergency Power Pak	-UNV -347V	
		-3 Three F032 T8 Lamps	-SB Specified Ballast	-E .125 Prismatic Polycarbonate	-SS 20ga Stainless Steel Housing with 18ga Brushed Flange, Brushed Stainless Steel Door		
				-F .187 Prismatic Polycarbonate	-AL .050" Painted Aluminum Housing, .050" Painted Aluminum Door		
					-AG AglION™ Antimicrobial Protection in Powder Coat Paint		
					-GLR GLR Fusing		
					-SG Closed Cell Silicone Sponge Gasketing		
					-FG Field Installed Flange Gasketing		
					-RIF RIF Suppressor		

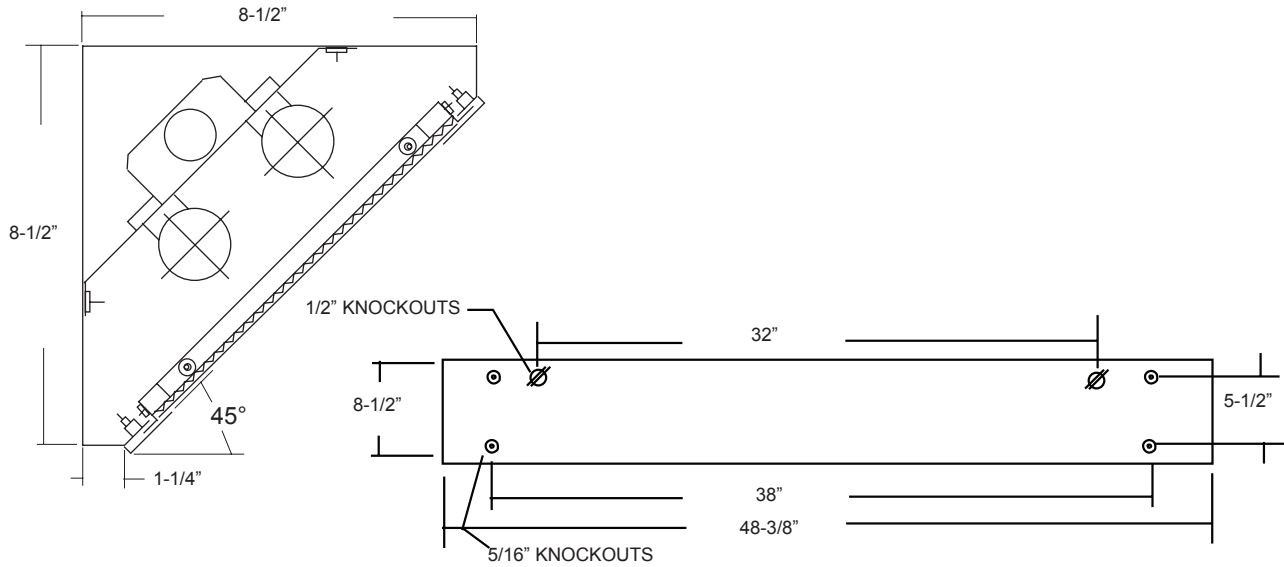
Note: Contact Factory For Additional Configurations.

Morlite
TOUGH SITES TOUGH LITES

1805 Pittsburgh Ave, Erie, PA 16502 • 800-865-5954 • Fax 800-667-9959



Dimensions & Mounting

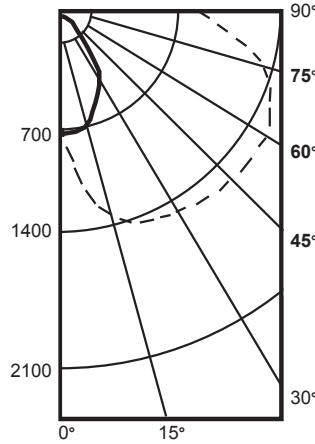


Photometry

Catalog #FPC-4-2-EB10IS-A-SS-UNV
Luminaire Efficiency: 54.9%
Lamps: 2 - F032/T8/735
Input Wattage: 64 Watts
Ballast Type: Electronic
Ballast Factor: 1.0

Floor	20%										
Ceilings	80%				70%			50%			
Walls(%)	70	50	30	10	70	50	30	10	50	30	10
0	64	64	64	64	62	62	62	58	58	58	58
1	57	54	51	48	55	52	49	47	49	47	45
2	51	46	42	38	49	44	40	37	42	38	35
3	46	40	35	31	45	39	34	30	36	32	29
4	42	35	30	26	40	34	29	25	32	28	24
5	38	31	25	21	37	30	25	21	28	24	20
6	35	27	22	18	34	26	21	18	25	20	17
7	32	24	19	16	31	24	19	15	22	18	15
8	30	22	17	13	28	21	16	13	20	16	13
9	27	19	15	11	26	19	14	11	18	14	11
10	25	18	13	10	24	17	13	10	16	12	10

Candlepower Distribution



Options

Antimicrobial: Optional Agion™ Antimicrobial protection using silver technology inhibits bacterial colonization on metal interior and exterior surfaces. Agion™ antimicrobial FDA recognized and EPA registered, meeting all applicable EPA standards.

Closed Cell Neoprene Gasket Standard



.125 Prismatic Acrylic Lens Standard